

TRUMP S

USER MANUAL



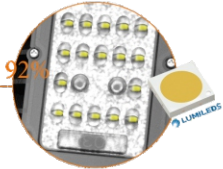
1. The luminaire shall be installed by a qualified electrician and wired in accordance with the latest IEE electrical regulations or the national requirements.
2. No supplied water-proof box, installation should be advised by qualified professional.
3. The external flexible cable can not be replaced. If the cable is damaged, the luminaire should be discarded.



IMG
LIGHTING



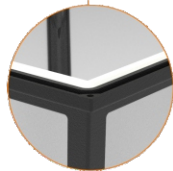
Internally placed power driver



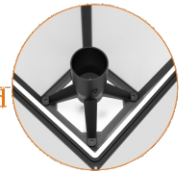
PC lens light transmittance $\geq 92\%$



Input line crossing position



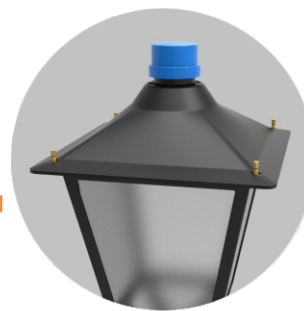
Waterproof silicone strip



When packing
Connector installed



Light pole connector



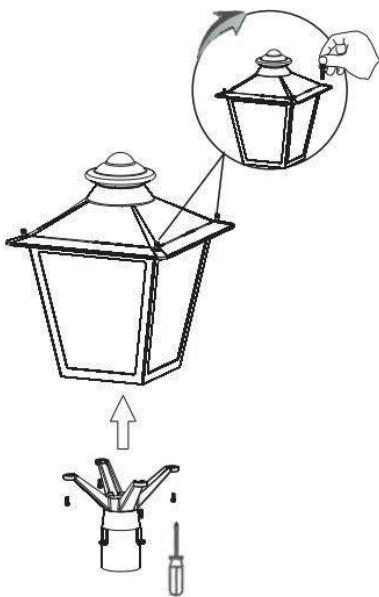
Add smart light sensor
ENMA standard optional
twist lock receptacle



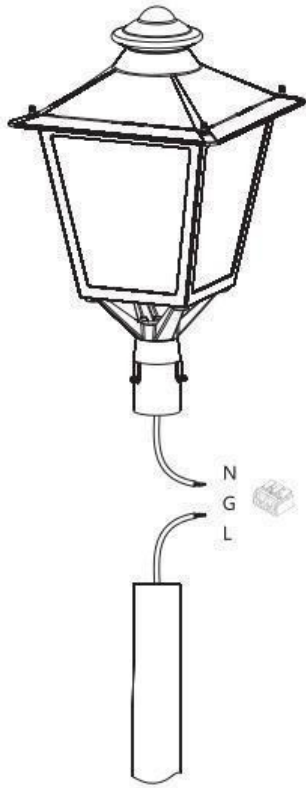
After the Up-gradation, can be
opened without tools, more convenient,
worry-free and less labor.



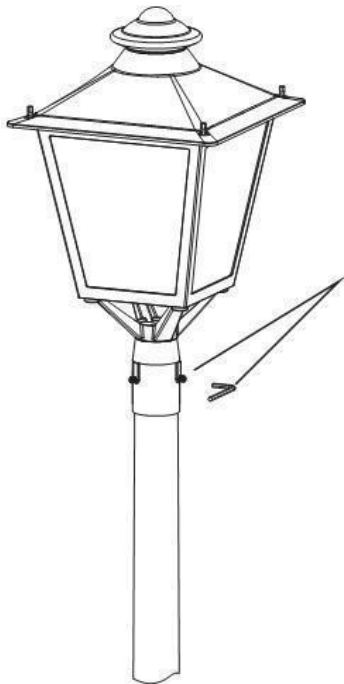
Step 1. Use your hand or tools to loosen the 2 screws on the top of the fixture, open the top cover of the fixture, and then take out the mount bracket inside the fixture.



Step 2. Close the top cover of the fixture, and fix the top cover onto the fixture using screws. And then after use screw driver to fix the mount bracket to the fixture.

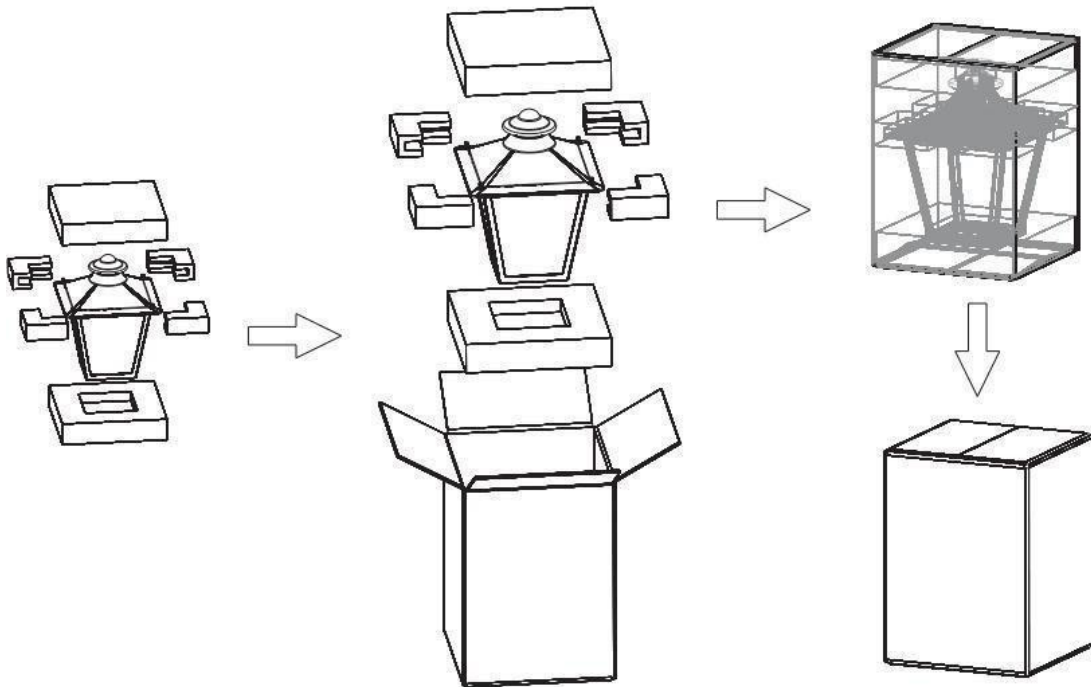


Step 3. Wire the cable with the cable in the pole



Step 4. Use screws to fix the fixture onto the pole.

Package



Attention

- (1) Cut off the power and make sure the installation place/body could burden the weight of the fixture.
- (2) Make sure the fixture is installed correctly, avoid fixture dropping down.
- (3) Do not use the fixture in the place which is corrosive area, unless let us know in advance and make special painting.
- (4) Do not cover anything which would affect the heat dissipation.
- (5) 5 years warranty.
- (6) Products quality issue caused by disassembling, changing the fixture are not in the warranty period.