

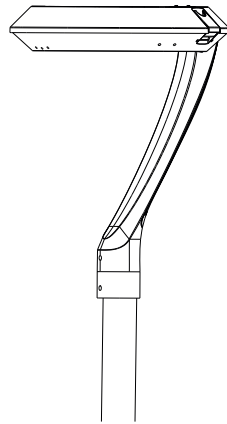
REGENT

User manual

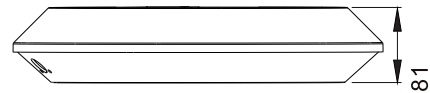
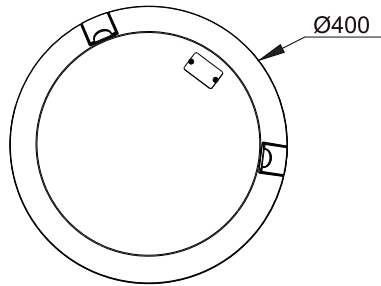


1. The luminaire shall be installed by a qualified electrician and wired in accordance with the latest IEE electrical regulations or the national requirements.
2. No supplied water-proof box, installation should be advised by qualified professional.
3. The external flexible cable can not be replaced. If the cable is damaged, the luminaire should be discarded.

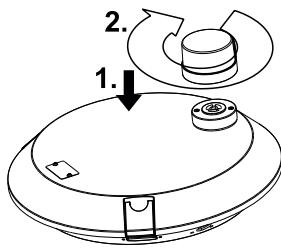
Installation Instructions



Physical Dimensions



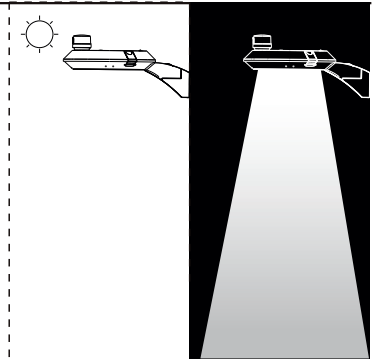
Twist Lock Photocell(Optional)



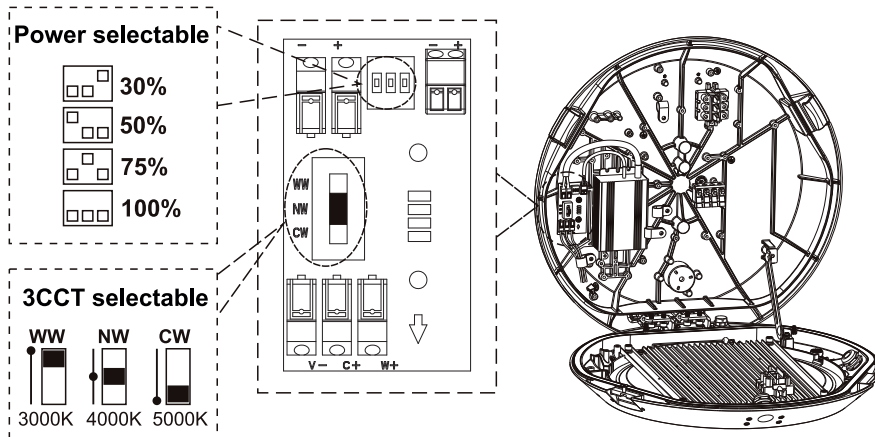
3pin or 5pin or 7pin NEMA →

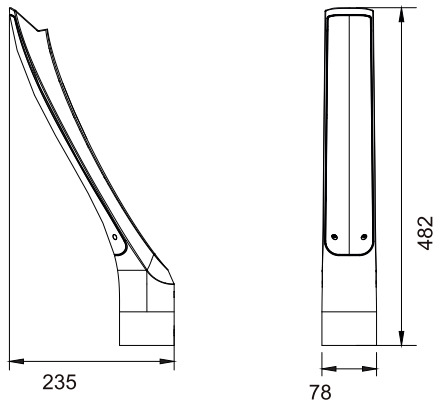


Note: If the luminaire use 3 pin or 5 pin or 7 pin NEMA, it need to add a waterproof gasket between socket and photocell controller.

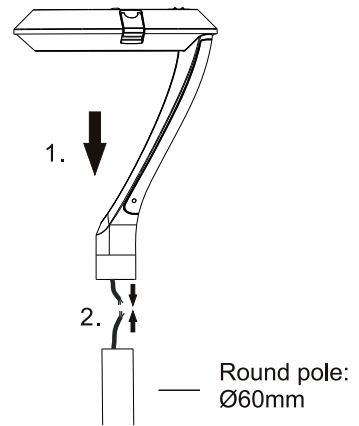


3 CCT+4 Power selectable(Optional)

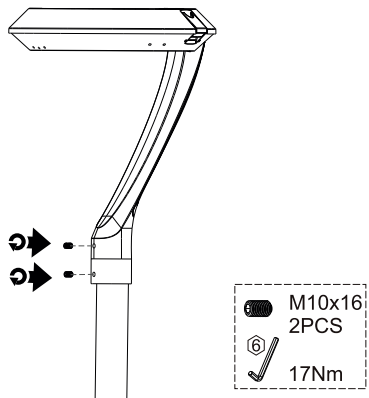




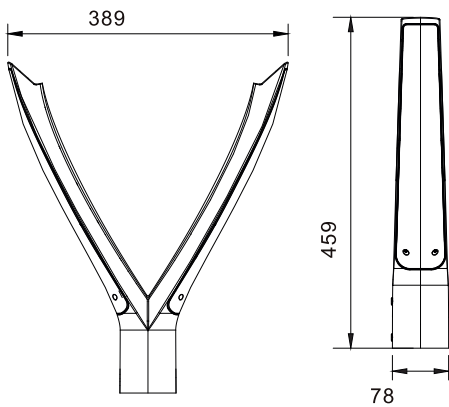
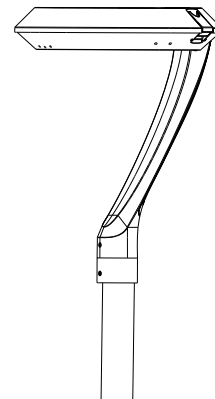
1.



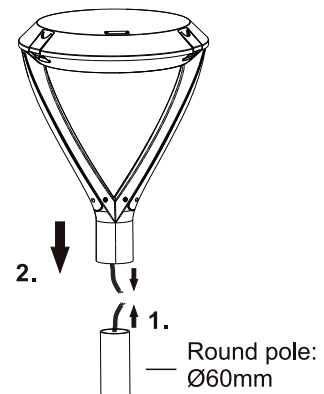
2.



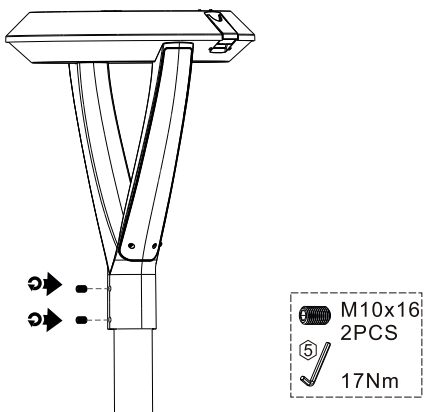
3.



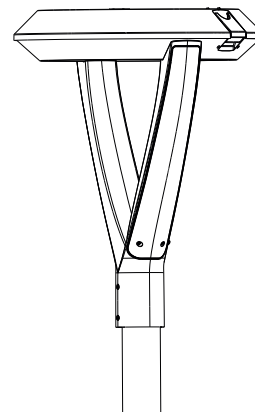
1.

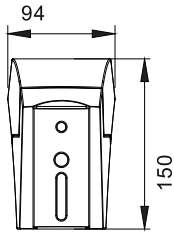
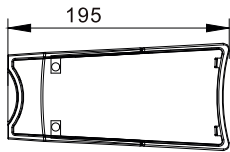


2.



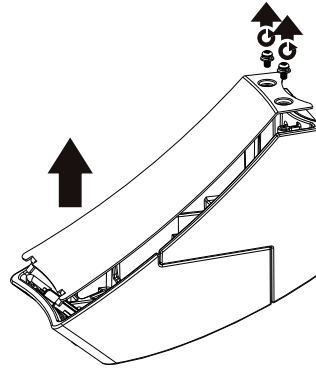
3.





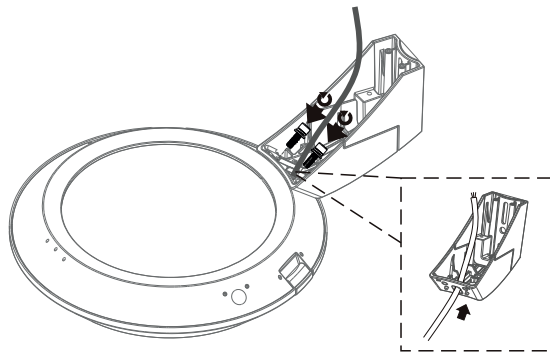
1.

M4
2PCS
1.2Nm



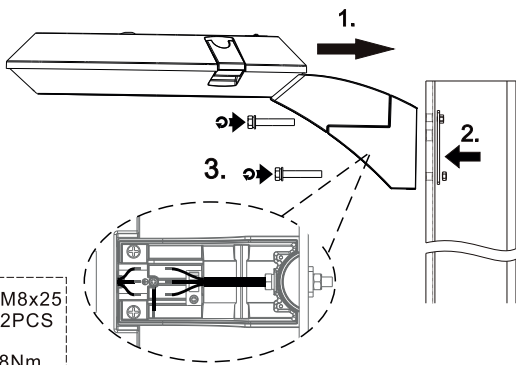
2.

M8x25
2PCS
8Nm



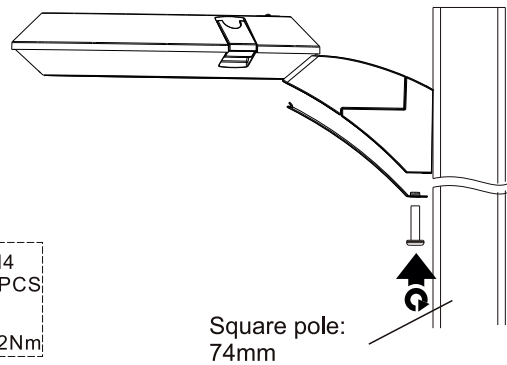
3.

Square pole installation



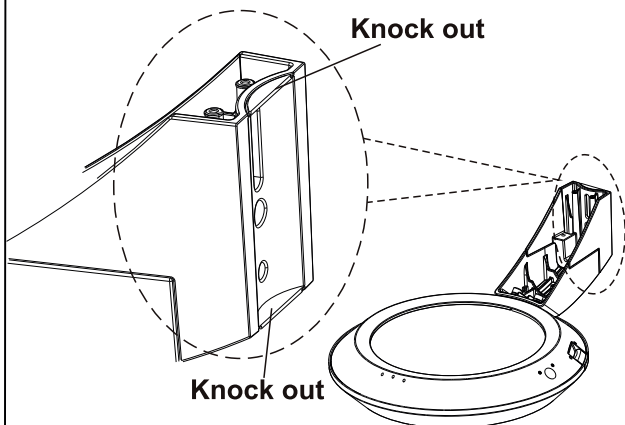
M8x25
2PCS
8Nm

M4
2PCS
1.2Nm

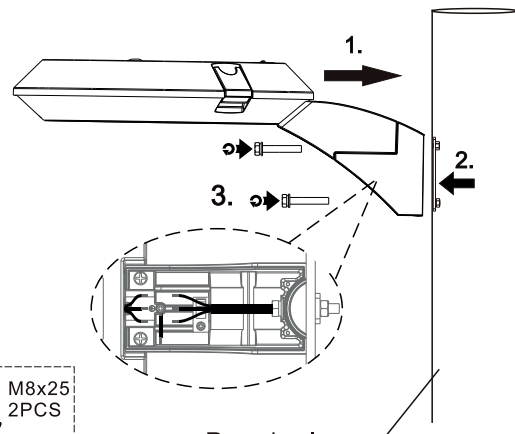


Square pole:
74mm

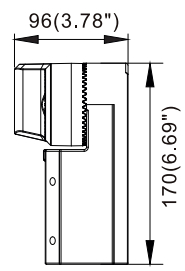
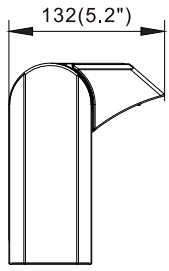
Round pole installation



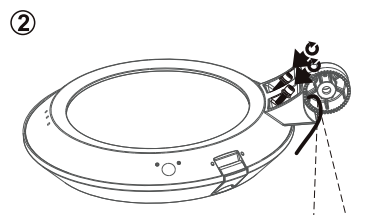
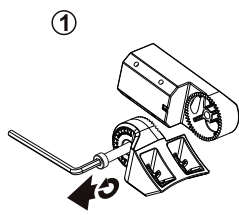
M8x25
2PCS
8Nm



Round pole:
Ø76mm

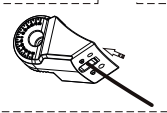


1.

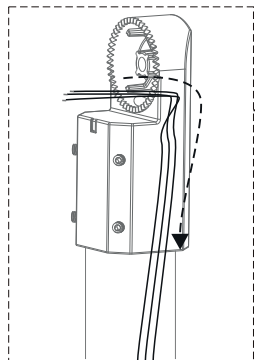
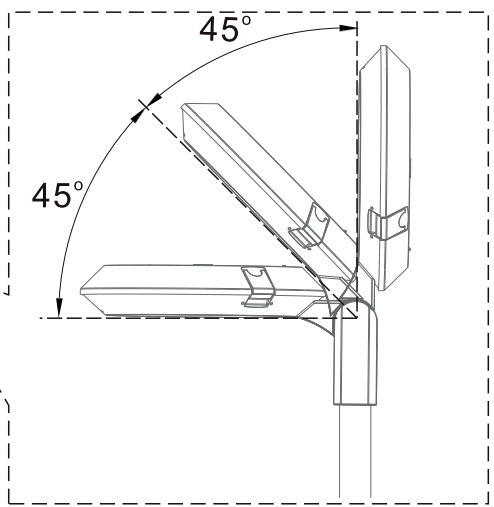
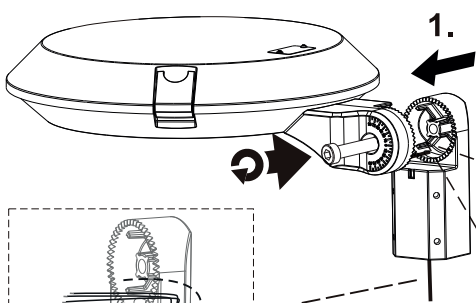


- M12x35
1PCS
- 29Nm

- M8x25
2PCS
- 8Nm

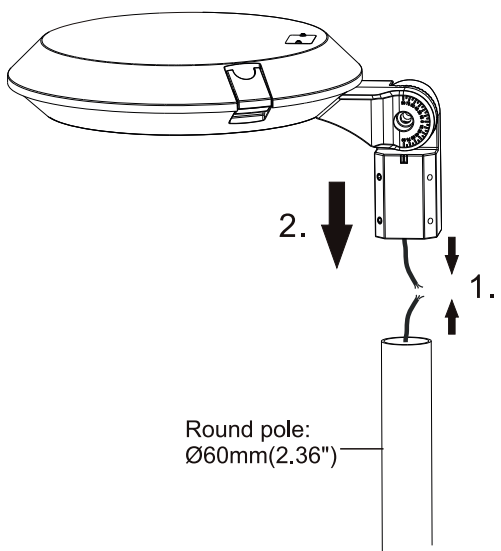


2.

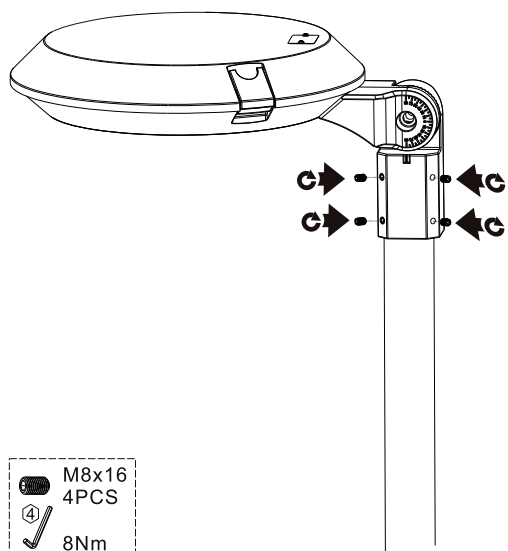


- M12x35
1PCS
- 29Nm

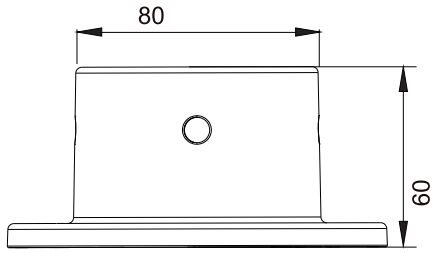
3.



4.

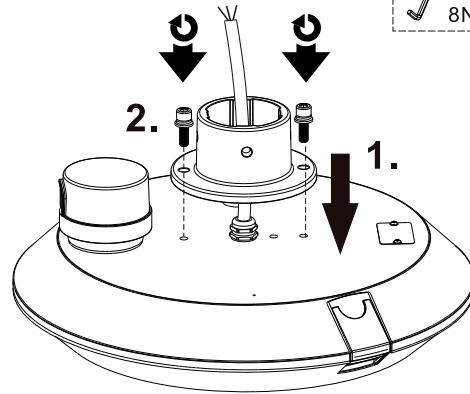


- M8x16
4PCS
- 8Nm

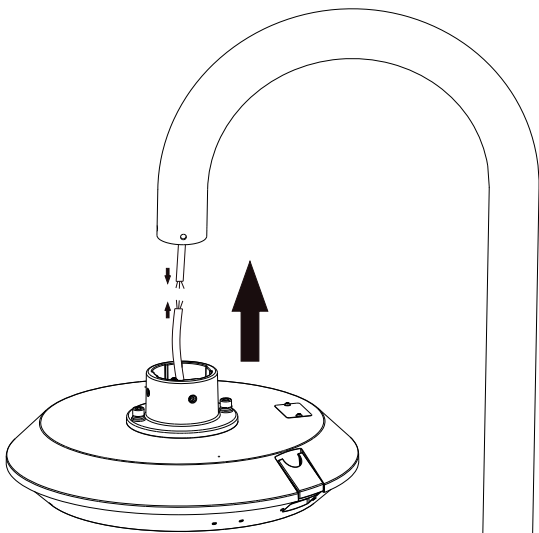


1.

- M8x25
2PCS
- 8Nm

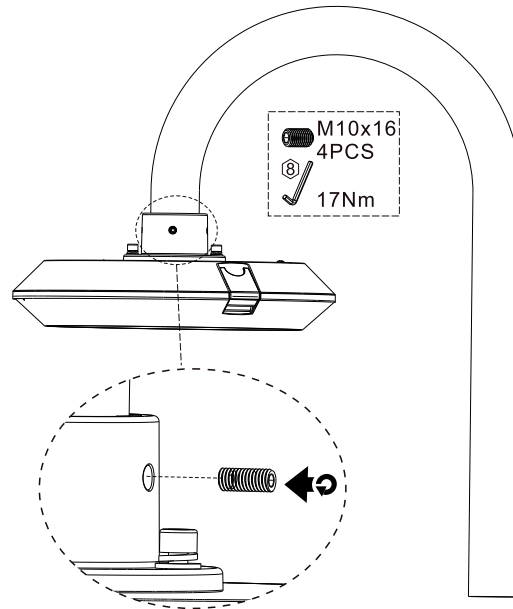


2.



Round pole:
Ø60mm

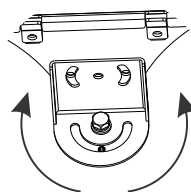
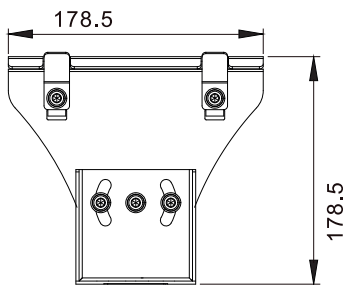
3.



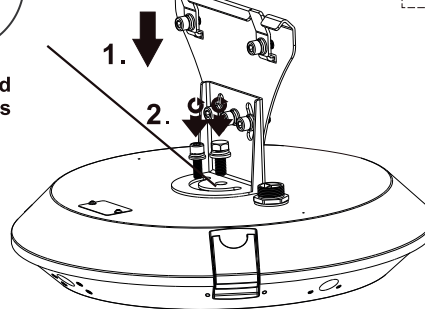
1.

- M8x25
1PC
- 8Nm

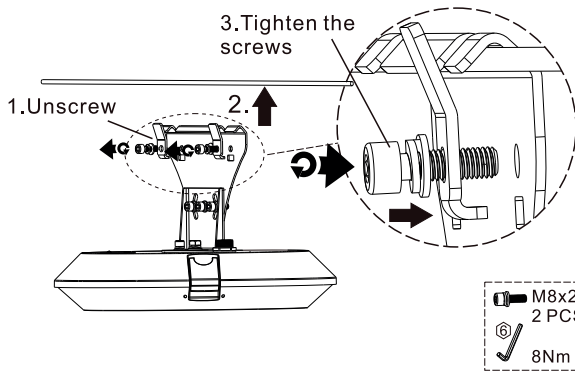
- M10x25
1PC
- 17Nm



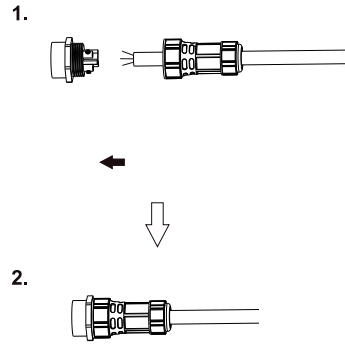
Can be rotated
horizontally as
required.



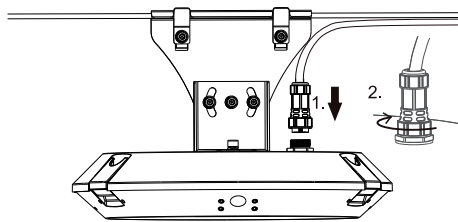
2. ✂



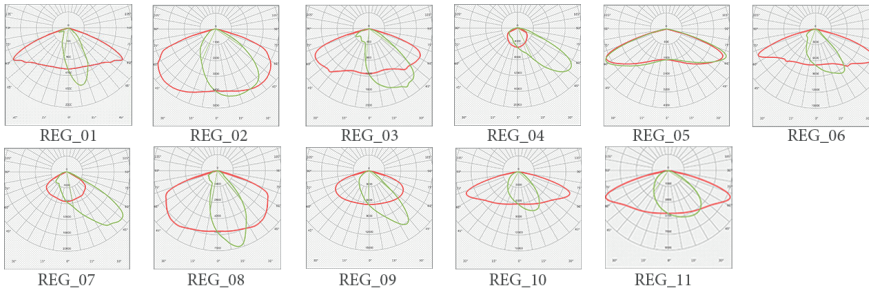
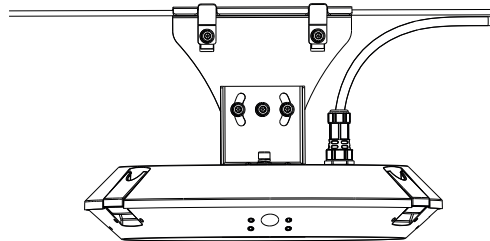
3. ✂



4. ✂



5. ✂



Product Specifications		30W	50W	60W	75W
Input Voltage		100-240VAC			
Power Frequency		50/60Hz			
Outlook Dimensions		Ø400×81			
Net Weight ±0.3kg	Singel Strut Mount	6.8kg			
	Twin Strut Mount	6.8kg			
	Straight-Arm Mount	6.5kg			
	Post top Mount	6.5kg			
	Suspention Mount	6.5kg			
	Gooseneck Mount	5.8kg			
Projected Area		0.11m ²			
Working Temperature		-30°C to +50°C			
Storing Temperature		-40°C to +70°C			

L	brown	black
N	blue	white
⊕ GND	yellow/green	green

- Please make sure the luminaire is properly grounded.
- The light source contained in this luminaire shall only be replaced by the manufacturer or his service agent or a similar qualified person.