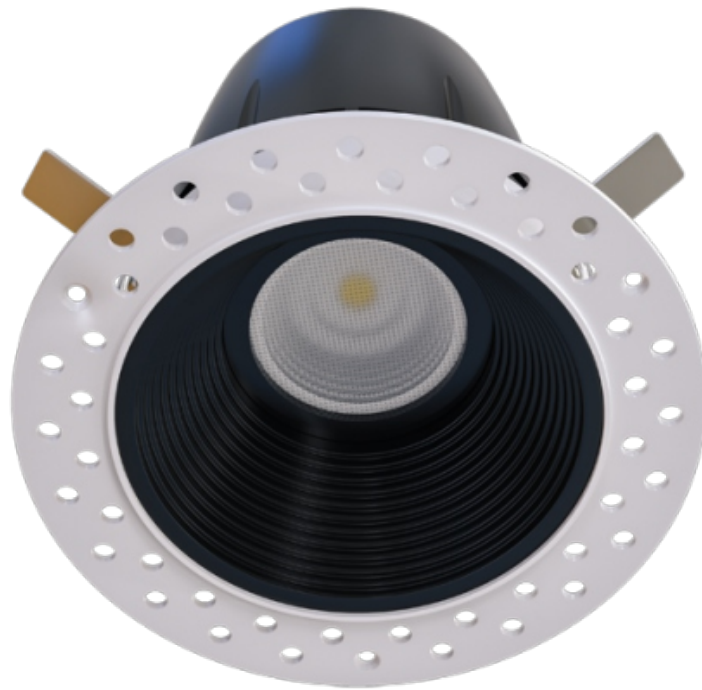


# MIRA R MINI

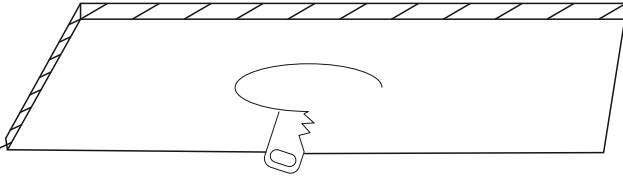
## USER MANUAL



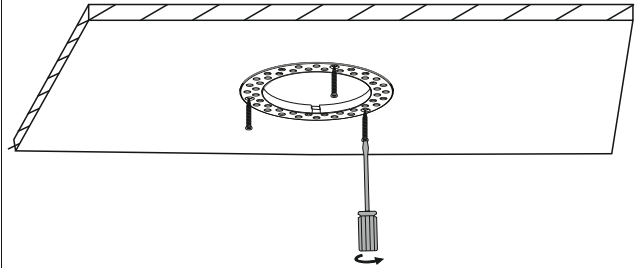
1. The luminaire shall be installed by a qualified electrician and wired in accordance with the latest IEE electrical regulations or the national requirements.
2. No supplied water-proof box, installation should be advised by qualified professional.
3. The external flexible cable can not be replaced. If the cable is damaged, the luminaire should be discarded.



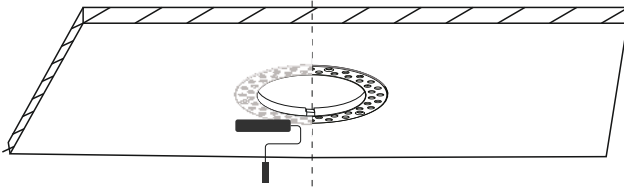
1



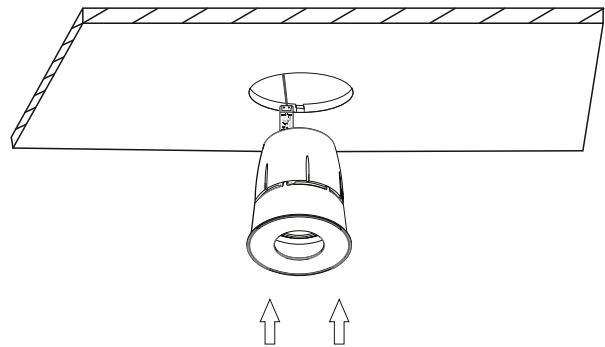
2



3



4



**Notice:**

1. This fixture works under condition of AC230V/50HZ power input
2. Turn off the power supply before maintenance and installation. Ensure the correct installation before turn on the power supply.
3. Ensure a distance of 75mm away from the fixture for the sake of air ventilation and their use should obey all fire regulations. The distance between the fixture and the lighted object must be 800mm at least. Please do not use the fixture in more than 40 degrees Celsius temperature environment.
4. Install the fixture in the safety ceiling.
5. Don't be covered by adiabatic material at any time.
6. Please refer to qualified engineer if any other questions about the manual.

**Instruction:**

1. Turn off the power supply.
2. Before painting the ceiling, cut the mounting holes in the ceiling according to the cut size of the lamp (see picture 1);
3. Fix the outer ring (embedded parts) on the ceiling with self-tapping screws to prevent the loosening of the outer ring from cracking and dust falling after painting (see picture 2);
4. After installing the outer ring (embedded parts), finish painting the ceiling to make the outer ring invisible and achieve a beautiful effect (see picture 3);
5. According to the indication on the lamp driver, connect the mains power to the driver, and then snap the lamp body into the outer ring (pre-embedded part). Ensure that the lamp will not fall when it is clamped and the wire is correctly connected before turning on the power (see picture 4).