

# MIO CRUZ

## USER MANUAL



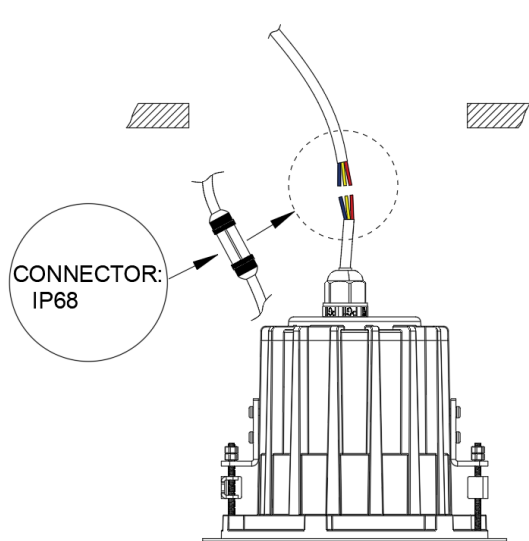
1. The luminaire shall be installed by a qualified electrician and wired in accordance with the latest IEE electrical regulations or the national requirements.
2. No supplied water-proof box, installation should be advised by qualified professional.
3. The external flexible cable can not be replaced. If the cable is damaged, the luminaire should be discarded.

## Installation.

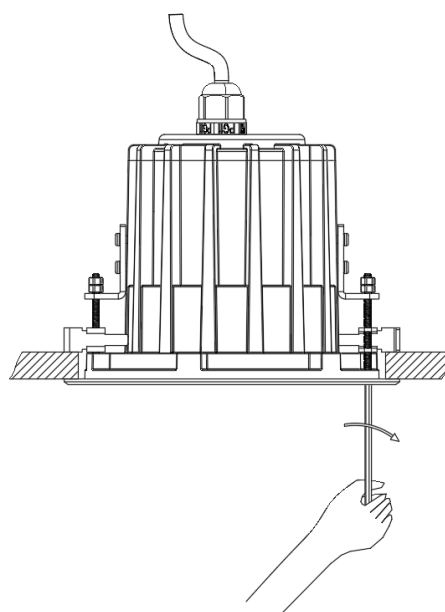


1. According to the cut size of the light, open the installation hole on the thickness of the slate or wall panel 15-25mm.

2. Connect a power cable from the mounting hole.



3. Put one end of the power cord and the lamp power cord into the waterproof connector (IP68), and connect the power cord, then lock the waterproof connector tightly, and keep enough length for easy maintenance.



4. Put the body of the lamp to the smallest position, then put the lamp into the mounting hole, and lock the screws.