

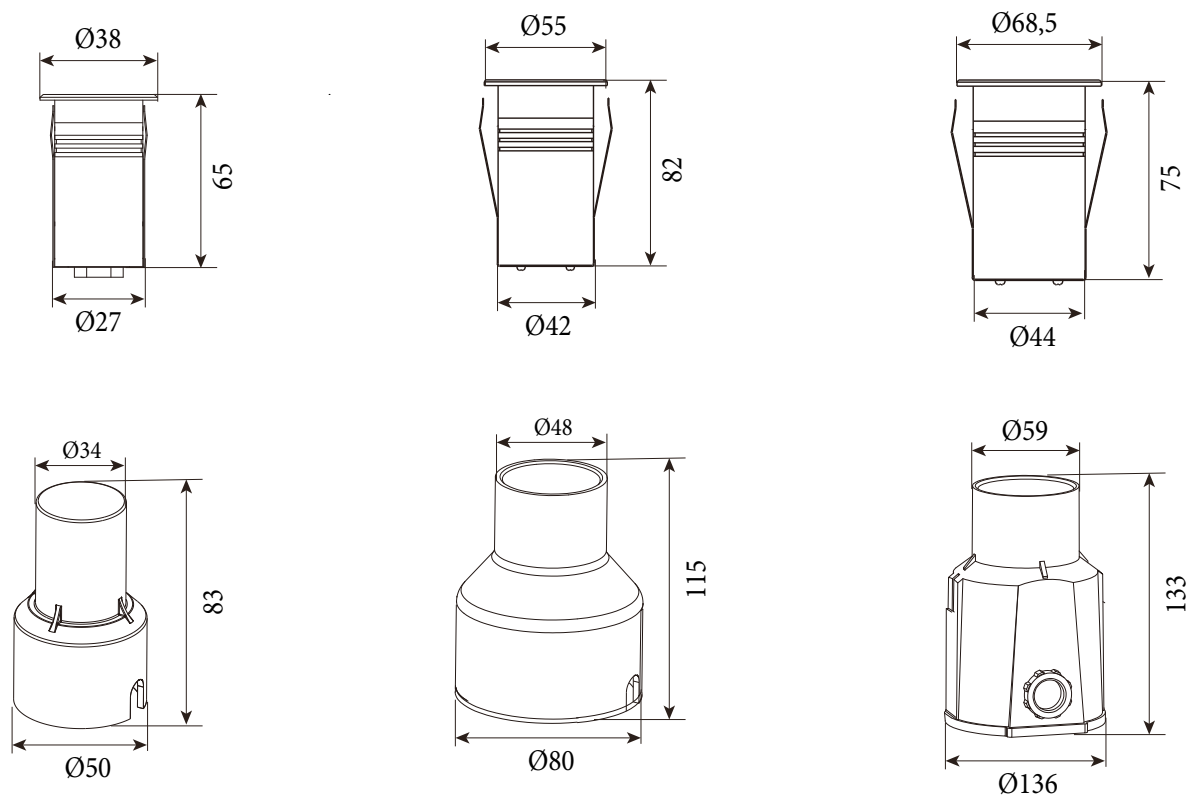
# MICRA PROOF

## USER MANUAL

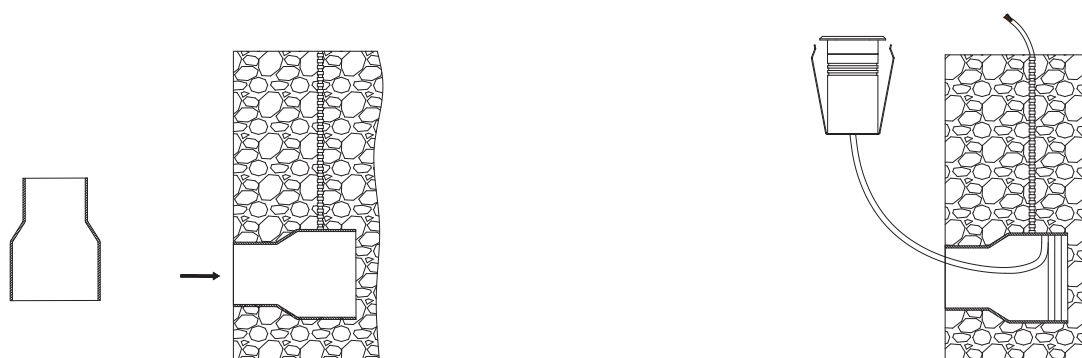


1. The luminaire shall be installed by a qualified electrician and wired in accordance with the latest IEE electrical regulations or the national requirements.
2. No supplied water-proof box, installation should be advised by qualified professional.
3. The external flexible cable can not be replaced. If the cable is damaged, the luminaire should be discarded.

## DRAWING:



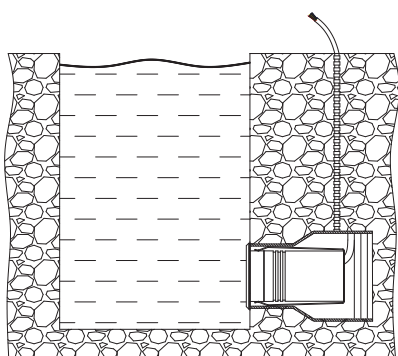
## INSTALLATION:



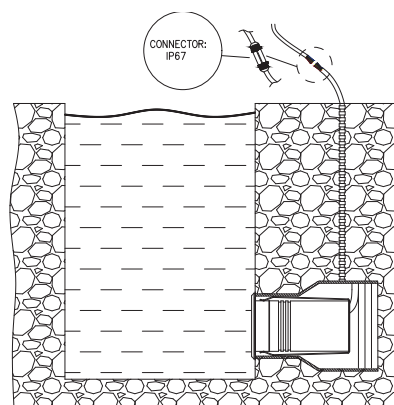
1. Put the sleeve into the wall, keep 90 from the ground. The cable need to go through the sleeve.

Note: The thickness of the gravel must be ticker than 25cm.

2. Connect the cable with the light, keep enough length for the maintain.



3. Place the long power cord into the sleeve, and put the light fixture into the sleeve.



4. Connect to IP67 connector. Keep the light not more than 1m deep under water.