

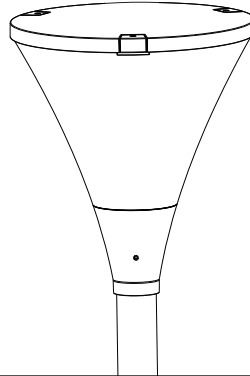
HUNT

User manual

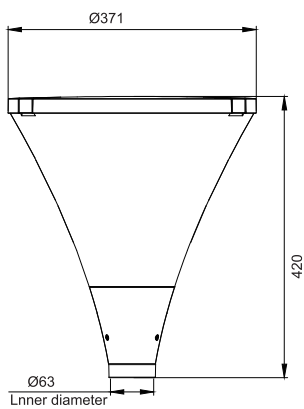


1. The luminaire shall be installed by a qualified electrician and wired in accordance with the latest IEE electrical regulations or the national requirements.
2. No supplied water-proof box, installation should be advised by qualified professional.
3. The external flexible cable can not be replaced. If the cable is damaged, the luminaire should be discarded.

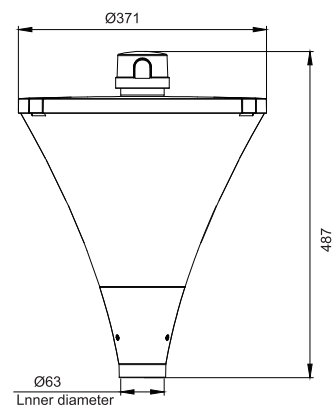
Instruction Manual



Physical Dimensions



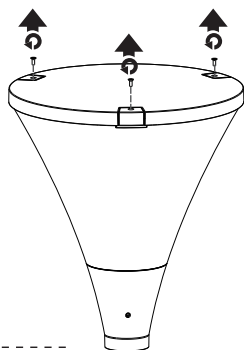
Standard version



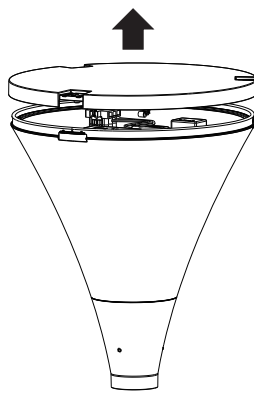
Photocell version

3 CCT+4 Power selectable

1. ✖

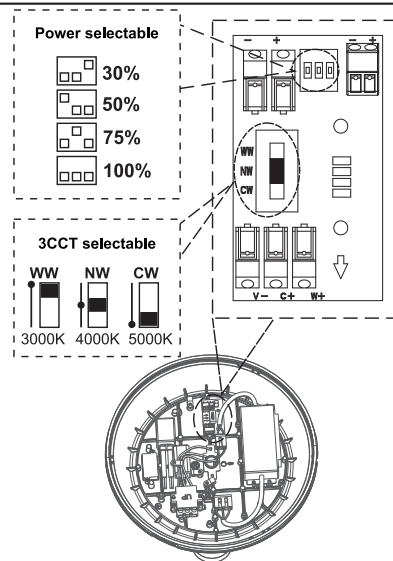


2. ✖



M4x25^l
3 PCS^l
1,2Nm^l

3. ✖



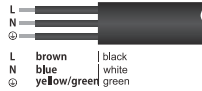
Instruction Manual

Installation

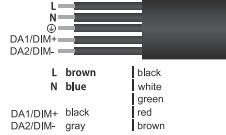
1. ✂



Non Dimmable



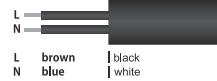
Dimmable



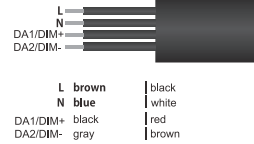
Pole size:
Ø60mm



Non Dimmable



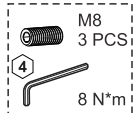
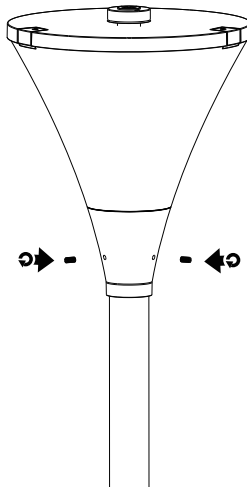
Dimmable



Pole size:
Ø60mm

* Please make sure the luminaire is properly grounded.

2. ✂



3. ✂

