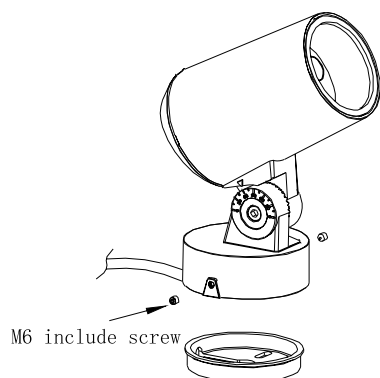


GARNET ZOOM

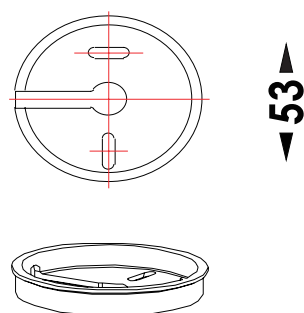
USER MANUAL



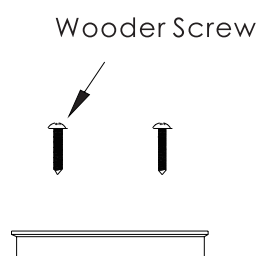
1. The luminaire shall be installed by a qualified electrician and wired in accordance with the latest IEE electrical regulations or the national requirements.
2. No supplied water-proof box, installation should be advised by qualified professional.
3. The external flexible cable can not be replaced. If the cable is damaged, the luminaire should be discarded.



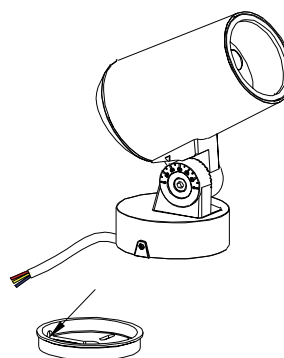
1. Loosen the M5 screws and remove the lamp base bracket.



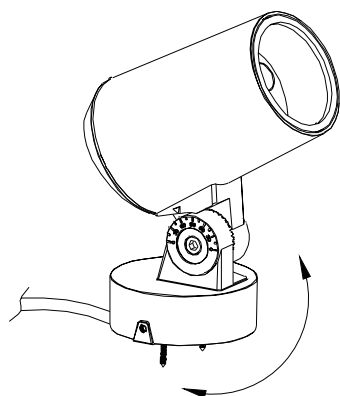
2. Drill two holes on the wall or floor according to the hole position of the base support, and put rubber plugs or wood blocks into the holes.



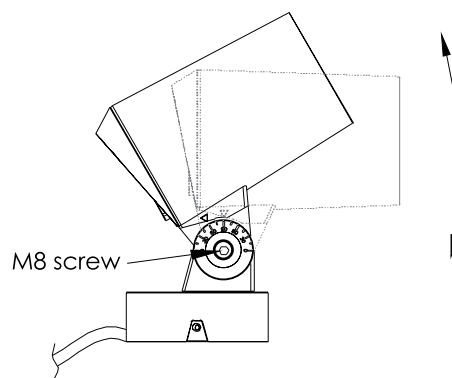
3. Fix the base bracket with wood screws on the wall or the floor.



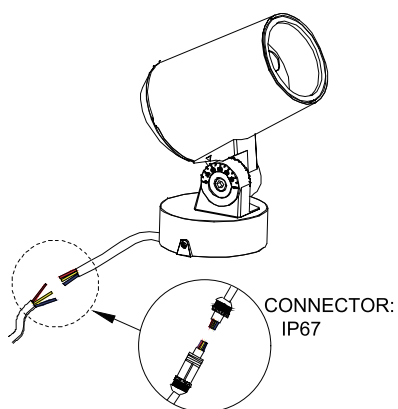
4. Insert the power cable of the lamp into the side hole of the base support.



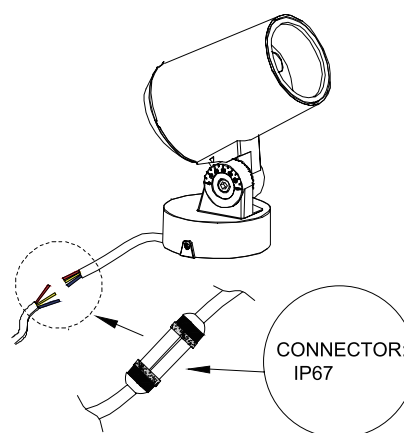
5. Put the lamp into the base bracket, adjust the X-axis Angle of the lamp, and then lock the screws.



6. Loosen the M5 cup head screws of the base, adjust the Y axis Angle of the lamp, and then lock the screws.



7. Put the power cord and the power cord of the lamp into the IP67 waterproof connector.



8. Connect the power cord with the power cord of the lamp, and then lock the waterproof connector