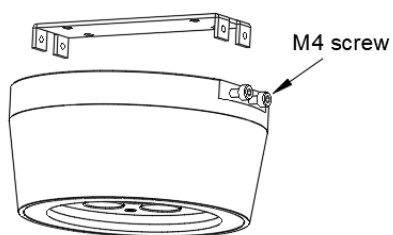
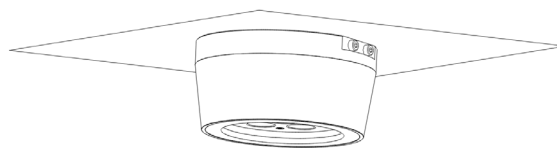


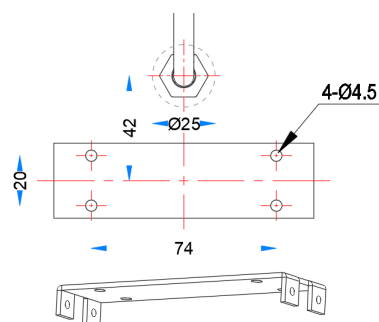
## GARNET GLOW TOP USER MANUAL



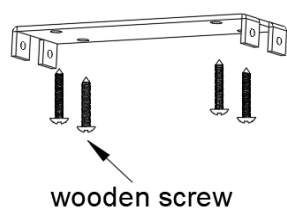
1. The luminaire shall be installed by a qualified electrician and wired in accordance with the latest IEE electrical regulations or the national requirements.
2. No supplied water-proof box, installation should be advised by qualified professional.
3. The external flexible cable can not be replaced. If the cable is damaged, the luminaire should be discarded.



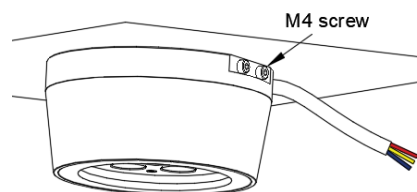
1. Loosen the M4 screws and remove the lamp support



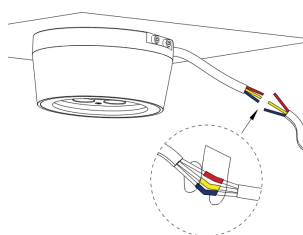
2. Drill four holes and an outlet on the wall according to the hole of lamp support (outlet size is 25 diameter \* 20-25mm deep), and put a rubber plug or wood block into the hole.



3. Fix the lamp bracket on the wall with wood screws.



4. Put the lamp on the bracket, and then lock the screws



5. Connect the power cord with Lamp's cable, then wrap it with waterproof tape (waterproof measures must be taken), and then fix the long power cord.