

FLORIS GOBO S

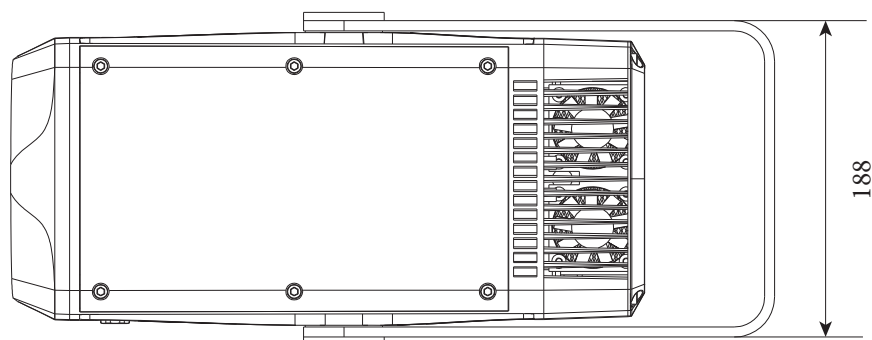
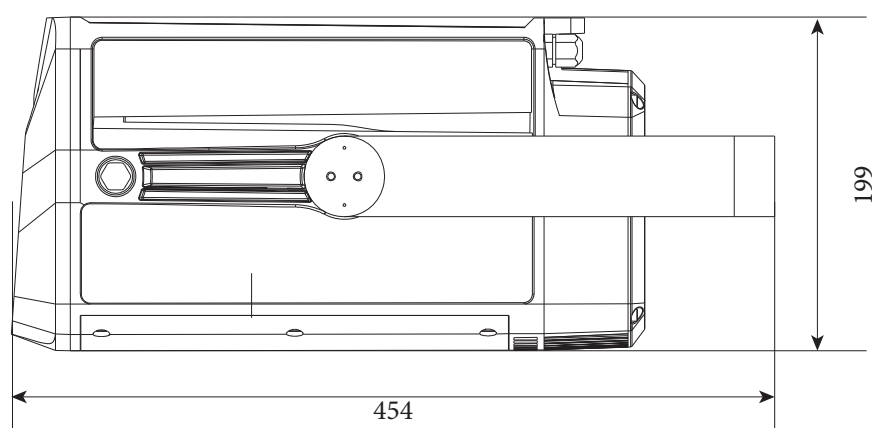
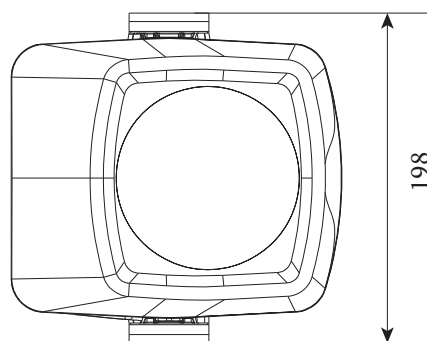
USER MANUAL



1. The luminaire shall be installed by a qualified electrician and wired in accordance with the latest IEE electrical regulations or the national requirements.
2. No supplied water-proof box, installation should be advised by qualified professional.
3. The external flexible cable can not be replaced. If the cable is damaged, the luminaire should be discarded.

1 PRODUCT

1.1 DIMENSIONS



1.2 Safety Notes

IMPORTANT

- ☒ This product must be installed by a qualified professional.
- ☒ In order to maintain this condition and to ensure a safe operation, it is absolutely necessary for the user to follow the safety instructions and warning notes
- ☒ The manufacturer will not accept liability for any resulting damages caused by the non-observance of this manual or any unauthorized modification to the device.

CAUTION!

- ☒ Make sure that the available voltage is not higher than stated on the rear panel.
- ☒ Do not touch the power cables if your hands are wet.
- ☒ The earth wire must always be connected to the ground. Therefore it is essential to connect the yellow/green conductor to earth.
- ☒ Make sure that the power-cord is never crimped or damaged by sharp edges. Check the device and the power-cord from time to time. The electric connection, repairs and servicing must be carried out by a qualified employee.
- ☒ Always disconnect power input cable to completely remove power from unit when not in use or before cleaning or servicing the fixture.
- ☒ Do not switch the fixture on and off in short intervals as this would reduce the lamp's life.
- ☒ Do not touch the device's housing bare hands during its operation (housing becomes hot)! The surface of the product's casing can reach up to 70° C (158° F) during operation. Avoid contact by persons and materials. Do not install the product in a location where there is a risk of accidental contact. Allow the product to cool for at least 10 minutes before handling.
- ☒ For replacement use lamps and fuses of same type and rating only.
- ☒ Please protect the fixture and avoid destroy during transport and installation. If there is any damage to the coating, the shell may be corroded.
- ☒ When hanging lamps and lanterns, it is necessary to verify that facilities and hooks can bear at least 10 times the weight of lamps and lanterns.
- ☒ Fix the safety rope at the correct holes only. Only operate the fixture after having checked that the housing is firmly closed and all screws are tightly fastened.
- ☒ The maximum ambient temperature 45°C must never be exceeded. Do not operate the product if the ambient temperature (Ta) exceeds 45° C (115° F).
- ☒ The minimum ambient temperature (Ta min.): -40° C
- ☒ When the temperature reaches the above upper limit, the fixture regulates output to protect from overheating.

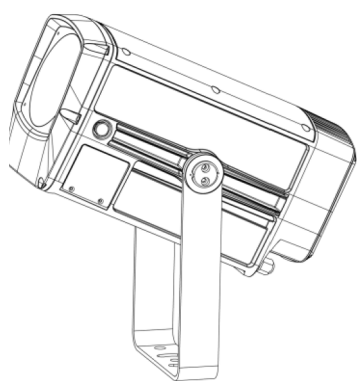
Electrical Warning

- ☒ The light source contained in this luminaire shall only be replaced by the manufacturer or his service agent or a similar qualified person.

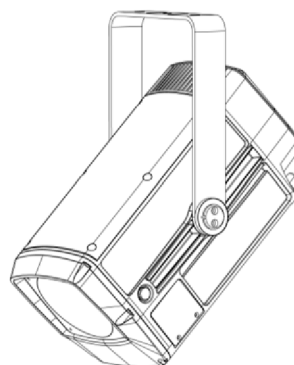
2 INSTALLATION

2.1 MOUNTING

- ☒ The fixture can be mounted in any position.
Always ensure that mounting surface can withstand 10 times the weight of the fixture.
- ☒ Always use a safety cable when mounting the fixture in any elevated position.



UPRIGHT



HANGING

2.2 POWER CONNECTIONS

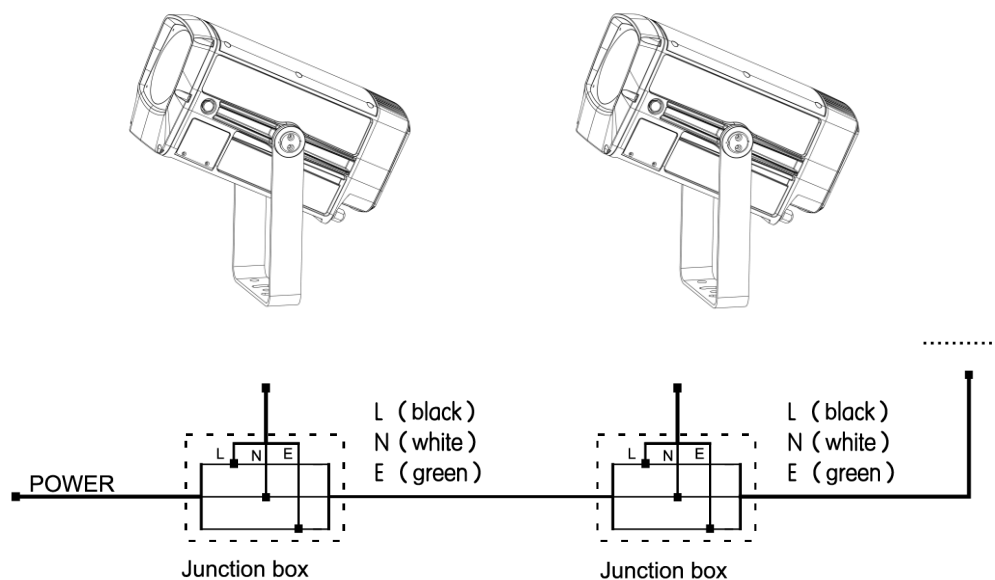
- ☒ This product has an auto-ranging power supply that can work with an input voltage range of 100–240 VAC, 50/60 Hz.

AC Plug

Connection	Wire (U.S.)	Wire(Europe)	Screw Color
AC Live	Black	Brown	Yellow/Brass
AC Neutral	White	Blue	Silver
AC Ground	Green/Yellow	Green/Yellow	Green

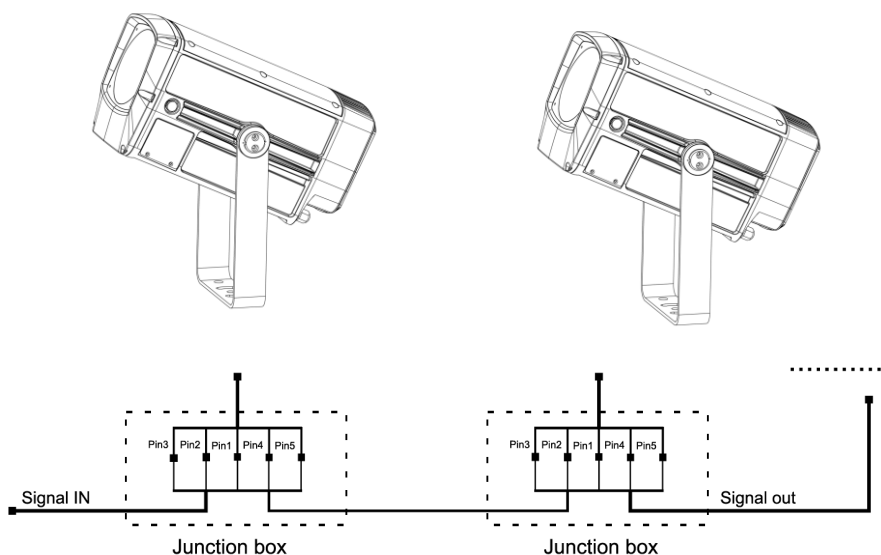
2.3 Power connections

- ☒ This product provides for the use of input power and signal cables are three-core, the connection diagram is as follows



2.4 Signal connections

- ☒ If the signal cable is over 60m between the DMX512 controller and fixture or between two fixtures, then a DMX signal amplifier is needed as well.



3 FUNCTIONS AND SETTINGS

3.1 DISPLAY OPERATION

- ☒ MENU : Used to access the menu or to return a previous menu option;
- ☒ ENTER : Used to select and store the current menu or confirm the current function value or option within a menu;
- ☒ UP : Navigates downwards through the menu list and increases the numeric value when in a function;
- ☒ DOWN : Navigates upwards through the menu list and decreases the numeric value when in a function ;

3.2 Menu Map

ADDRESS	001-512 (default 001)		DMX address setting
PERSON	STANDARD (default)		Use the menu to select desired channel mode
	BASIC		
RUN MODE	DMX512 (default)		Select Signal
	AUTO		
	EDIT1		
	EDIT2		
OPTION	DIMMER	DIM4 (default)	Dimming curves DIM1 (fast) to DIM4 (slow) ;
		OFF	
	DMX ERROR	SAVE (default)	Hold after loss of DMX signal
		BLACK	Blackout after loss of DMX signal
	PWM	1200HZ (default)	Sets the PWM frequency
		2400HZ	
		4000HZ	
		6000HZ	
		25000HZ	
	PERFORM	LIVE (default)	Automatic rotation of fan
		POWER	Fast rotation of fan, all power
		STUDIO	Fan mode low speed
	DISP KEY	ON (default)	Press menu for 5 seconds to input up, down, up ,down
		OFF	
	DISP TIME	ON	Turns off display backlight after 10s/30s/2min of inactivity
		10s	
30s (default)			
2min			
LOAD	NO (default)	Upload data	
PARA	YES	Not upload data	
SETTING	RECOVERY	****	Restore default factory settings.

		CLEAN EDIT1	****		Clean customer self-editing scene 1
		CLEAN EDIT2	****		Clean customer self-editing scene 2
	WDMX	NO (default)			Clear the receiver's message
	RESET	YES			Do not clear the receiver's message.
	SIGNAL	ONLY XLR (default)			ONLY XLR is wire only
		XLR FIRST			XLR FIRST is wire first
		ONLY WDMX			ONLY WDMX is wireless only
		WDMX FIRST			WDMX FIRS is wireless first
		WDMX TO DMX			WDMX TO DMX is wireless to wired
	LANGUAG E	CHINESE			LANGUAGE
		ENGLISH (default)			
EDIT	EDIT 1-2	STEP(01-30)	COLOR	0-255	Edit the custom programs1-30 Select play 【EDIT 1】 in RUNMOEDE CUSTOM 1; Select play 【EDIT 2】 in RUNMOEDE CUSTOM 2
			ROTA GOBO	0-255	
			GOBO ROTA	0-255	
			ANIMATION	0-255	
			ANIMA_ROT	0-255	
			PRISM	0-255	
			ZOOM	0-255	
			FOCUS	0-255	
			DIMMER	0-255	
			STROBE	0-255	
			TIME	0-255	
	USE	YES/NO	Run the program		
MANUAL	AUTO TEST				Automatic Testing
	MANUAL TEST	COLOR	0-255		Manual control channel
		ROTA GOBO	0-255		
		GOBO ROTA	0-255		
		ANIMATION	0-255		
		ANIMA_ROT	0-255		
		PRISM	0-255		
		ZOOM	0-255		
		FOCUS	0-255		
		DIMMER	0-255		
		STROBE	0-255		
	DEBUG HIDE	YES		Factory testing mode. All stepper motors are not controlled by signal, It only works again after the reset.	
		NO			
	RESET	ALL RESET			Select Yes/No to carry out all reset
		COLOR SYSTEM			COLOR/GOBO/ROTA GOBO reset

		ZOOM/FOCUS SYSTEM	ZOOM/FOCUS reset	
		OTHER		
INFO F	FIXTURE HOURS		Hours of fixture use	
	TEMPERATURE		LED temperature	
	VERSION		Software versions	
	RDM		RDM information	
	SYSTEM ERROR	Memory IC		Memory IC
		Angle Sensor		Angle Sensor
		Temperature		Temperature
		Color Reset		Color Reset
		RGOBO Reset		RGOBO Reset
		GOBOR Reset		GOBOR Reset
		Animation Reset		Animation Reset
Prism Reset		Prism Reset		
Zoom Reset		Zoom Reset		
Focus Reset		Focus Reset		
SERVICE	****	COLOR	±127	Color position fine adjustment
		ROTA. GOBO ±	127	Rotate Gobo position fine adjustment
		GOBO.ROTA	±127	Self-rotation position fine adjustment
		ANIMATION	±127	Animation position fine adjustment
		PRISM	±127	Prism 1 position fine adjustment
		FOCUS ±	127	Focus position fine adjustment
		ZOOM ±	127	Zoom position fine adjustment

All passwords of this product are <UP>, <DOWN>, <UP>, <DOWN>, <ENTER>)

4 USING A DMX512 CONTROLLER

4.1 DMX CONTROL

BASIC (11CH)	STANDARD (CH14)	VALUE	FUNCTION
1	1	0-255	Dimmer
--	2	0-255	Dimmer fine
2	3	STROBE	
		0-9	NO FUNCTION
		10-99	STROBE (FROM SLOD TO FAST)
		100-109	NO FUNCTION
		110-179	LIGHTNING STROBE
		180-189	NO FUNCTION
		190-255	RANDOM SROBE
3	4	COLOR WHELL 5+1	
		000-007	White
		008-015	Color 1
		016-023	Color 2
		024-031	Color 3
		032-039	Color 4
		040-047	Color 5
		048-191	Color Wheel 0-360°
		192-222	Color Wheel Rainbow Effect(Speed 100%->1)
		223-224	Stop
-	5	000-255	COLOR WHELL FINE
4	6	ROTATING GOBO 4+1	
		000-010	ROTATING WHITE
		011-024	ROTATING GOBO 1
		025-038	ROTATING GOBO 2
		039-052	ROTATING GOBO 3
		053-066	ROTATING GOBO 4
		067-080	ROTATING GOBO 1 SHAKE (SPEED 1 → 100%)
		081-094	ROTATING GOBO 2 SHAKE (SPEED 1 → 100%)
		095-108	ROTATING GOBO 3 SHAKE (SPEED 1 → 100%)
		109-122	ROTATING GOBO 4 SHAKE (SPEED 1 → 100%)
		123-127	WHITE
		128-190	ROTATING GOBO FLOWING WATER EFFECT (SPEED 100 → 1%)
		191-192	STOP WATER EFFECT
		193-255	ROTATING GOBO FLOWING WATER EFFECT(SPEED 1 → 100%)
5	7	GOBO ROTATING	
		0-120	ROTATING GOBO ANGLE ADJUSTMENT (0 → 360°)
		121-125	STOP
		126-165	ROTATING GOBO SHAKE (SPEED 1 → 100%)

		166-170	STOP
		171-210	ROTATING GOBO POSITIVE ROTATION (SPEED 100% → 1)
		211-215	STOP
		216-255	ROTATING GOBO REVERSE ROTATION (SPEED 1 → 100%)
6	8	Dynamic Effect wheel Location	
		0-255	Dynamic Effect wheel Location
7	9	Dynamic Effect wheel Autorotation	
		0-10	White
		11-131	Dynamic Effect Wheel Flow Effect, Clockwise, fast to slow
		132-134	Stop
		135-255	Dynamic Effect Wheel Flow Effect, Anticlockwise, slow to fast
8	10	PRISM	
		0-10	WHITE
		11-155	PRISM INSERT AND ADJUST THE ANGLE (0 → 360°)
		156-157	STOP
		158-205	PRISM INSERT AND POSITIVE ROTATION (SPEED 100% → 1)
		206-207	STOP ROTATION
		208-255	PRISM INSERT AND REVERSE ROTATION (SPEED 1 → 100%)
9	11	0-255	ZOOM
10	12	0-255	FOCUS
--	13	0-255	FOCUS FINE
11	14	CONTROL (EXECUTE AFTER 3 SECONDS)	
		000-010	NO FUNCTION
		011-060	RESERVED
		061-070	LIVE
		071-080	STUDIO
		081-090	POWER
		091-100	RESERVED
		101-110	DIMMER OFF
		111-120	DIMMER DIM4
		121-150	RESERVED
		151-160	1200Hz
		161-170	2400Hz
		171-180	4000Hz
		181-190	6000Hz
		191-200	25000Hz
		201-210	ALL RESET
		211-220	COLOR/GOBO/ROTA GOBO reset
		221-230	ZOOM/FOCUS RESET
		231-240	PRISM/EFFECT WHEEL RESET
		241-255	RESERVED