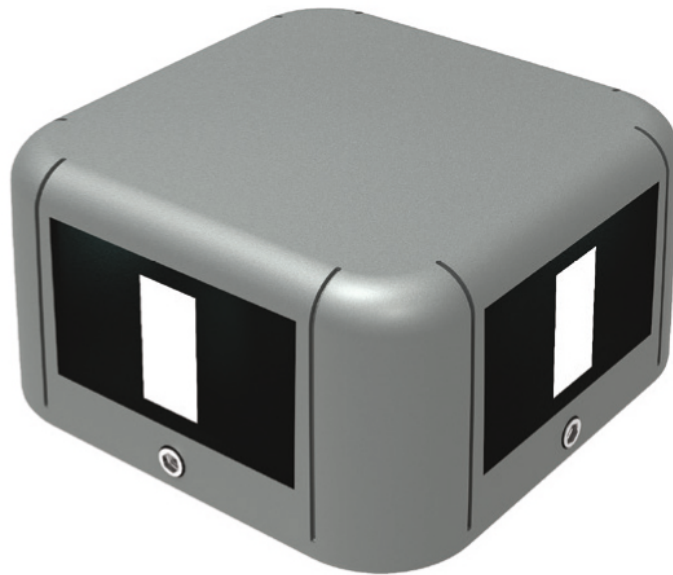


# CRISS

## USER MANUAL



**! Warning:**

Confirm the correct connection method, incorrect connection can lead to improper work, and even damage.

If install wrong, it may fall off.

Refer to installation instruction for installing.



### I. Product Introduction:

- The fixture is LED luminaire.
- Surface/Wall installation method.
- Die-casing Aluminum, tempered glass, silicone waterproof sealed.
- Ingress protection is IP66.
- Electrical class: Class I

### II. Technical specification:

Housing: Pressure die-cast aluminum alloy with polyester powder paint.

Optical system: Led lenses and PMMA protection glass

Beam angle:

symmetric: 2°, 60°

Housing color: Black, Grey, RAL

Color temperature, K: 3000K - 5000K, RGB, RED, GREEN, BLUE, YELLOW, AMBER

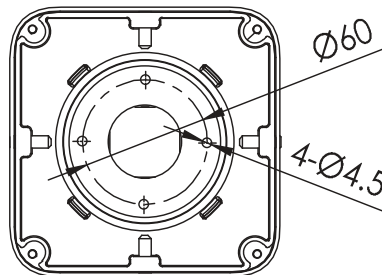
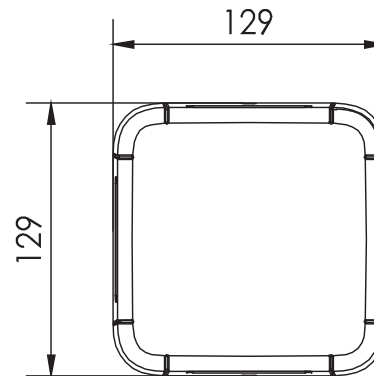
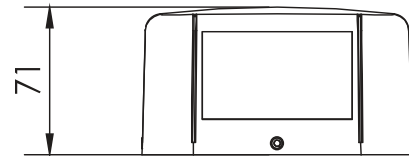
Control system: DMX-512, Switch On/O

Input voltage, V: 24V, 220V

Ingress Protection Rating, IP: IP65

Operating temperature: -25°C ~ +50°

Guaranteed lifetime, hours: 50 000h

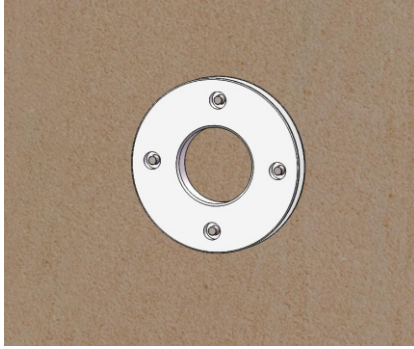


### III. Observe the following dos and don'ts

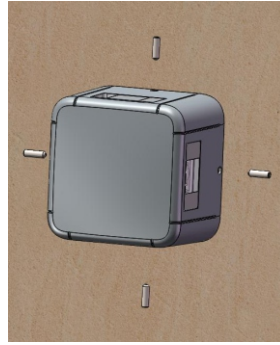
1. Install in the IP 65 environment or beneath the IP65.
2. Prohibit punching any position of lamps
3. Please turn off the power and contact the dealer for problems in connection or other abnormal cases.
4. Installed by the qualified electrician holding a certificate.
5. Prohibit operating the lamps beyond the voltage scope as nation stipulated
6. Don't make the external power cable exposed during wiring.

#### IV. Installation Instructions

1. According to step ①, fix the plate on the mounting surface.
2. According to step ②, fasten the lamp body with the plate, connect the cable accurately to ensure the regular work.



Step ①



Step ②

#### 5. Notes

The fixture must get reliable connection with the mounting surface, any screws in the lamps should not be arbitrarily loosed. There is no special requirement on the installation direction.

#### V. Remarks for the cables.

When you get the fixture, please check and find the relative version and confirm its Color Temperature, Electrical class, the cable out.

**Attention:** ■ When you get the fixtures is class III, please use a transformation to light. ■ When you get the RGB DMX512 fixture, please accurately connect the DMX cables, otherwise, it will influence the regular work.

CABLES OUT FOR DIFFERENT COLOR TEMPERATURE AND ELECTRICAL CLASS			
✓ <b>VERSION 1</b>		✗ <b>VERSION 2</b>	
Single Color ✓ WW ✗ CW		✗ RGB (DMX512)	
✓ Class I	L, N, E	Class III	Power cable: 2pin1 V+ /Red wire, V- /Blue wire
Class III ✗ DC36V ✗ DC24V ✗ DC12V	V+ /Red wire V- /Blue wire	✗ DC36V ✗ DC24V ✗ DC12V	DMX IN cable: 3pin1 ■DMX+ Red wire ■DMX- Blue wire ■GND Green wire