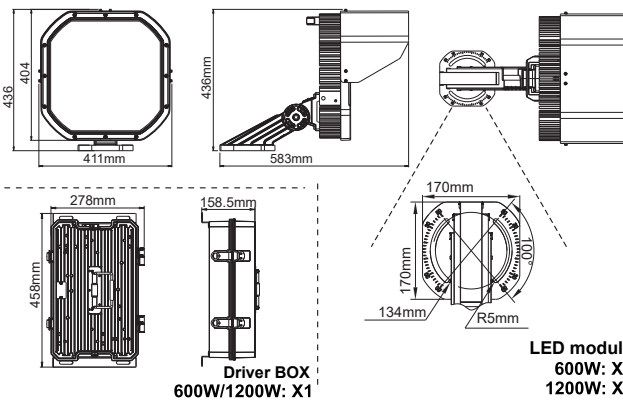
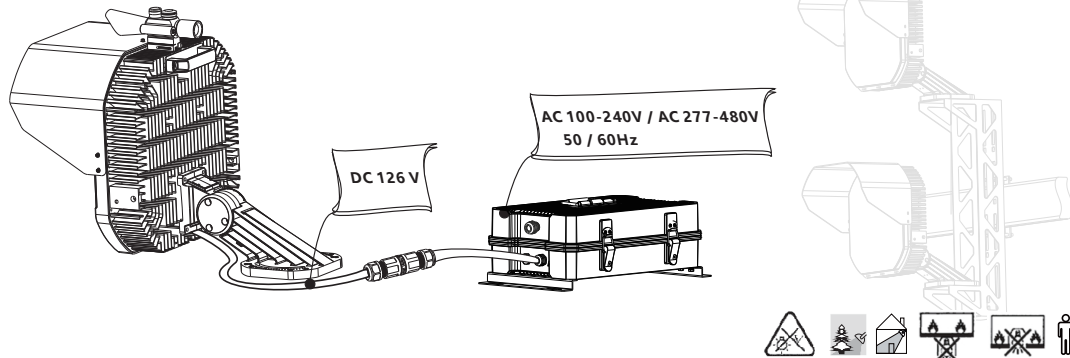


TEXUS HI-SPORT USER MANUAL

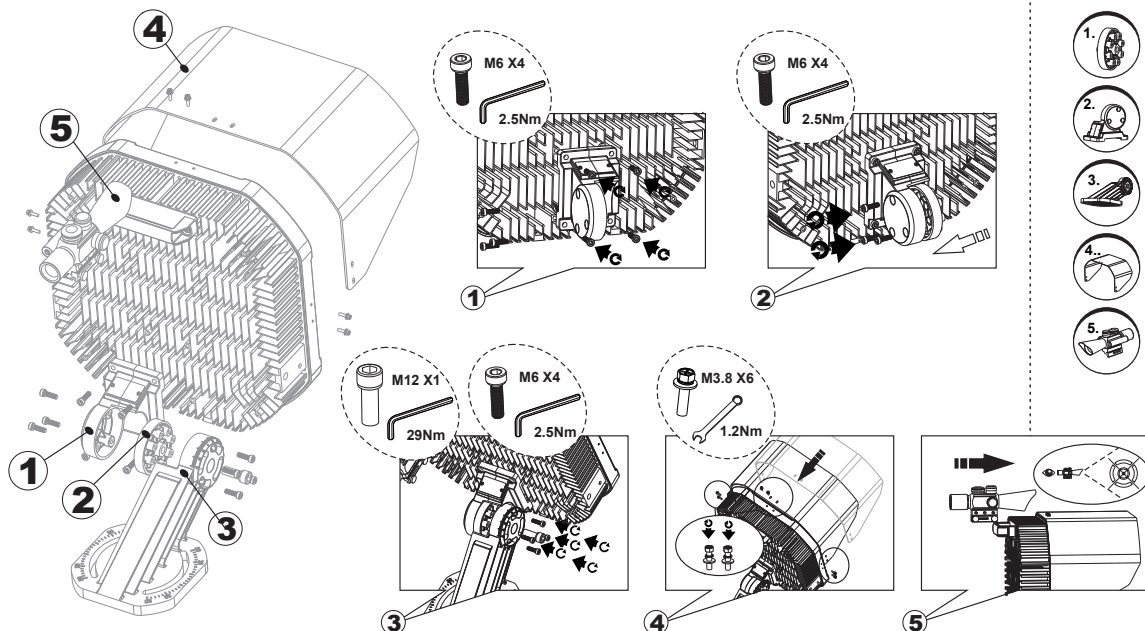


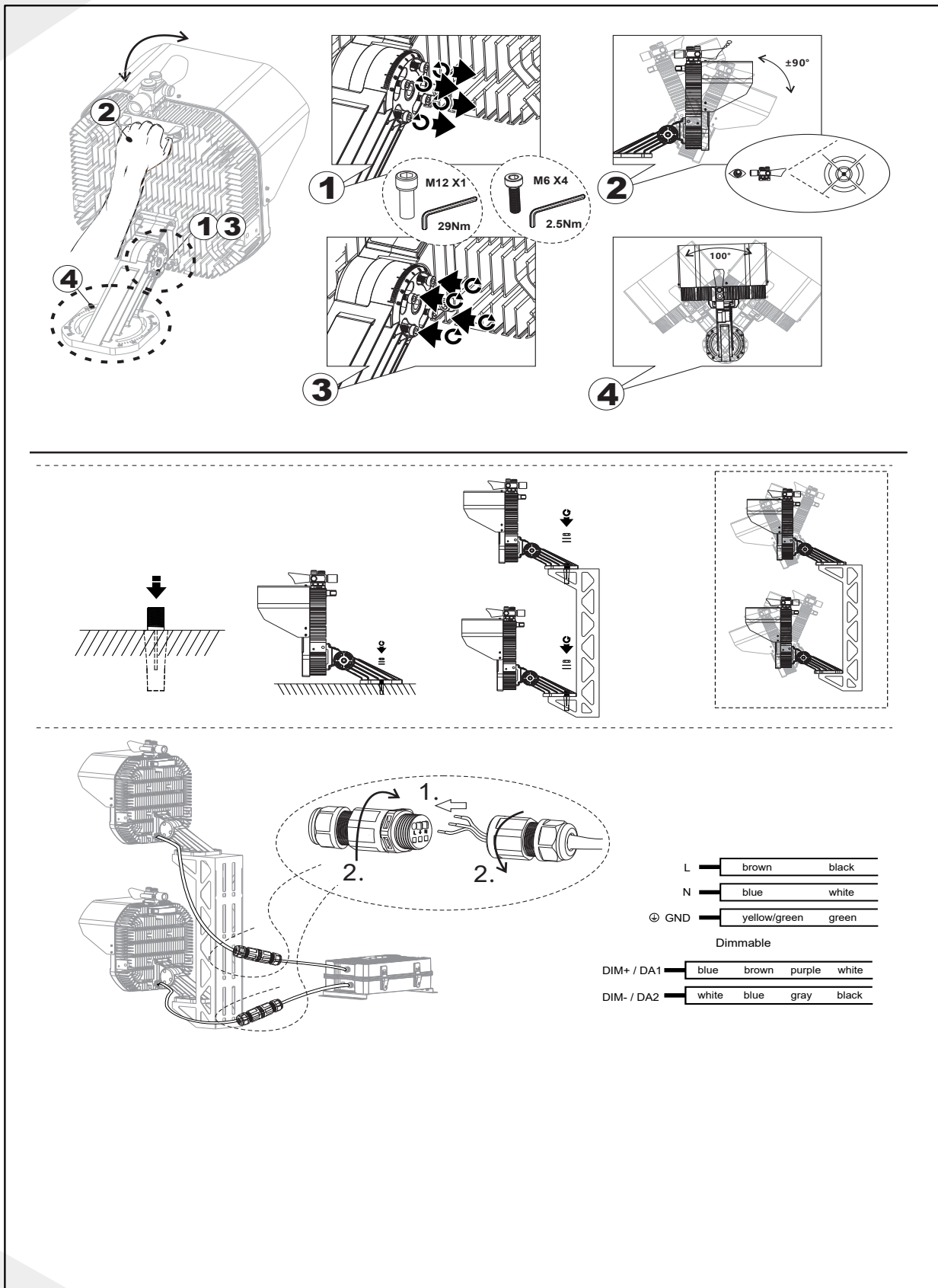
1. The luminaire shall be installed by a qualified electrician and wired in accordance with the latest IEE electrical regulations or the national requirements.
2. No supplied water-proof box, installation should be advised by qualified professional.
3. The external flexible cable can not be replaced. If the cable is damaged, the luminaire should be discarded.

Installation Instructions

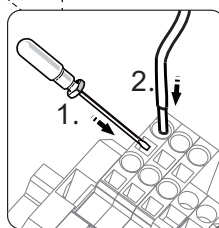
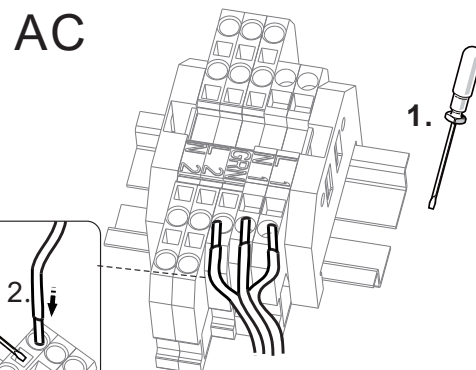
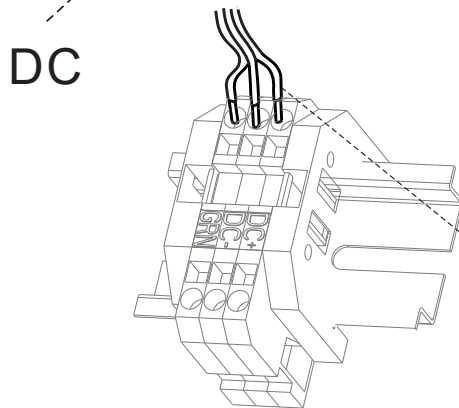
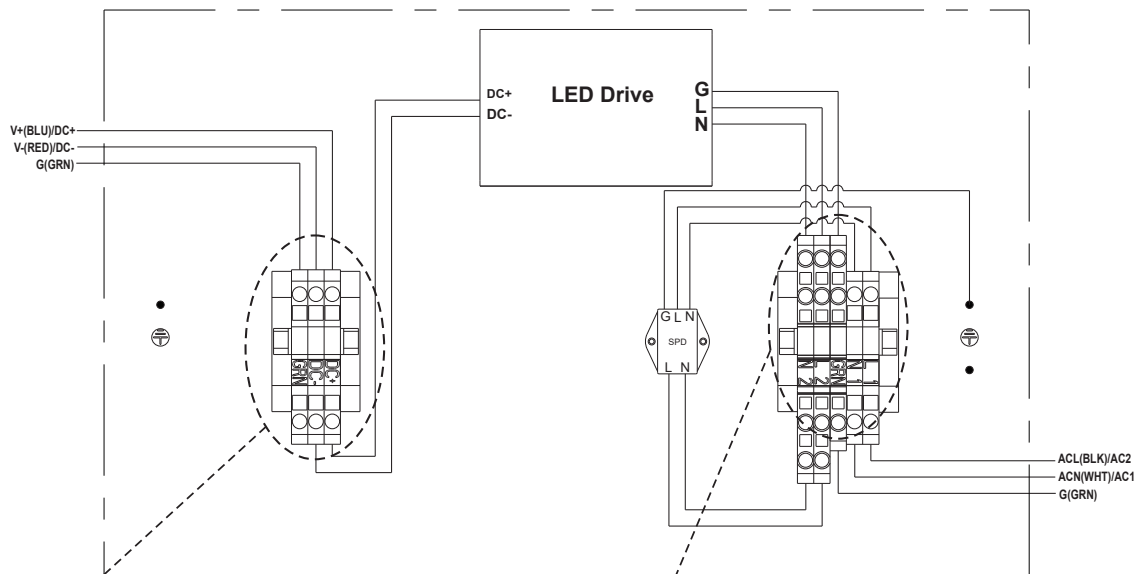
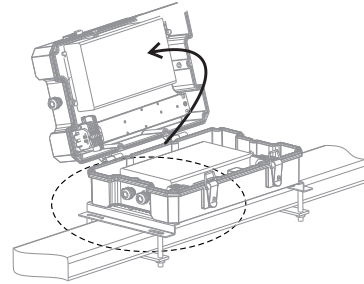
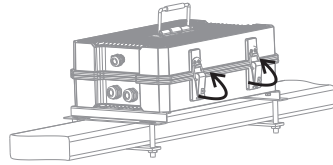


	600W	Driver BOX(600W)	Driver BOX(1200W)
Size (L x W x H)	583x411x436mm	458x278x159mm	
N.W	11.5±0.3kg	8.7±0.3kg	12.5±0.3kg
Effective Projected Area (EPA)	2.14ft ²	1.64ft ²	
Operating Temperature	-30°C to +50°C		





Installation Instructions

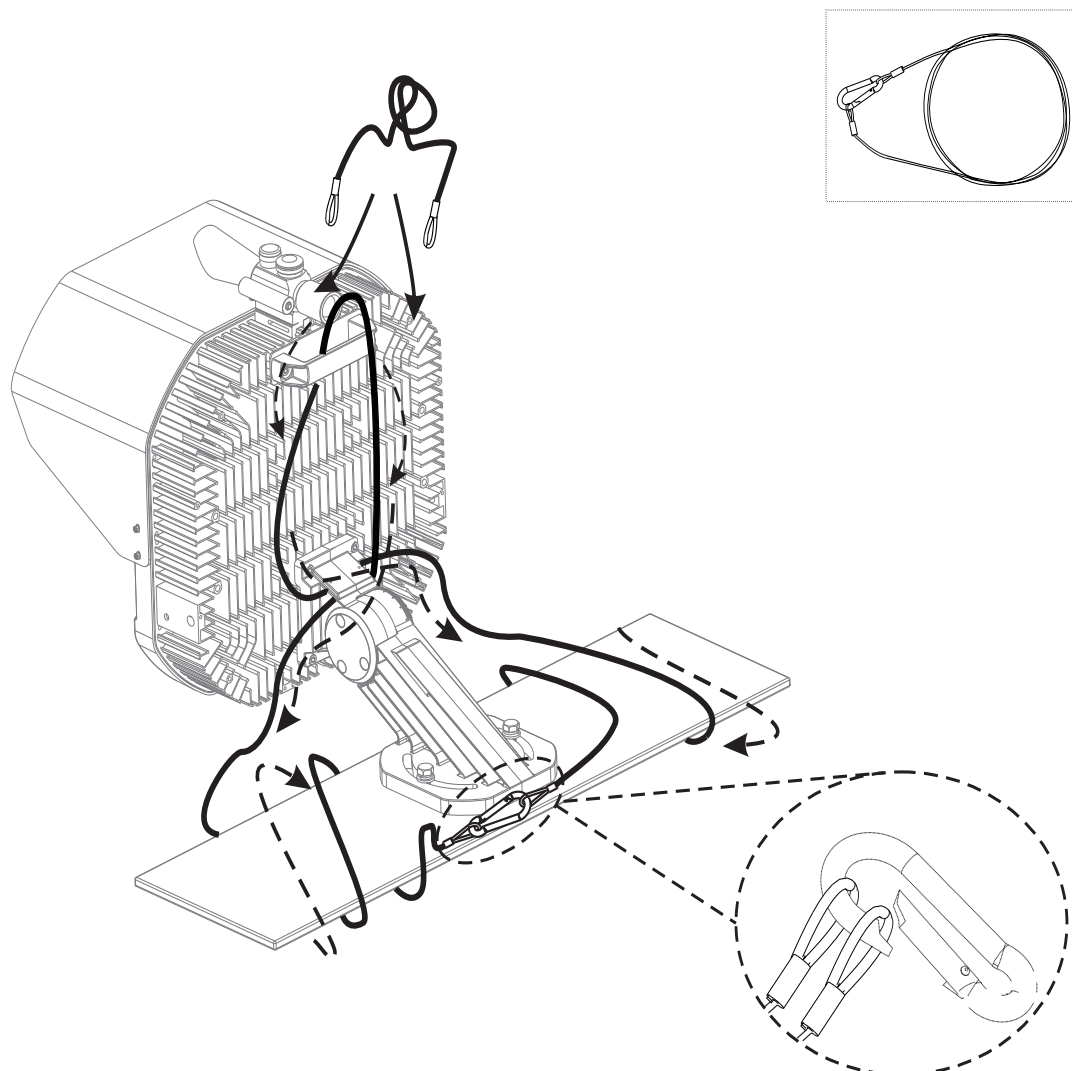


Dimmable

DIM+ / DA1	blue	brown	purple	white
DIM- / DA2	white	blue	gray	black
Ⓞ GND	yellow/green	green		

L	brown	black
N	blue	white
Ⓞ GND	yellow/green	green

safety rope



•if the external flexible cable or cord of this luminaire is damaged, it shall be exclusively replaced by the manufacturer or his service agent or a similar qualified person in order to avoid a hazard.