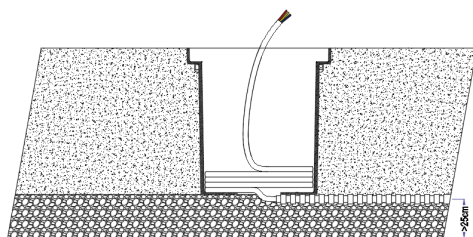


RALLUS CONE USER MANUAL



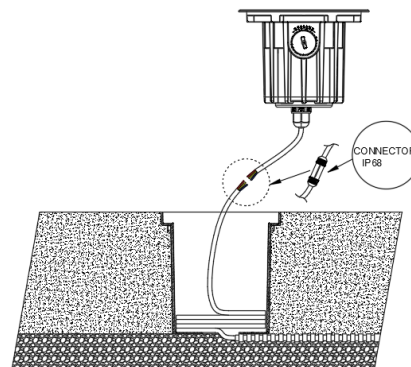
1. The luminaire shall be installed by a qualified electrician and wired in accordance with the latest IEE electrical regulations or the national requirements.
2. No supplied water-proof box, installation should be advised by qualified professional.
3. The external flexible cable can not be replaced. If the cable is damaged, the luminaire should be discarded.

1. Installation.

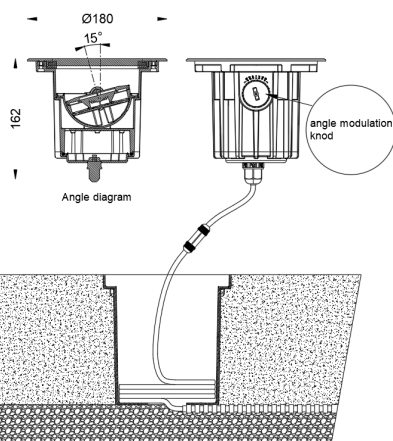


1. Install the sleeves into the ground, the top side should be on the same level with the ground surface, cable needs to go through the sleeve.

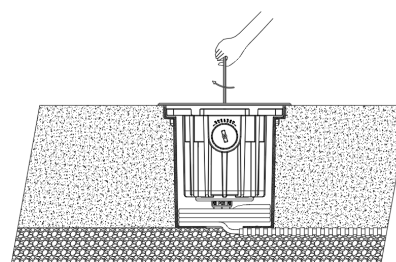
Note: The thickness of the gravel must be thicker than 25cm.



2. Connect the cable with the light.
*keep enough length for maintenance.

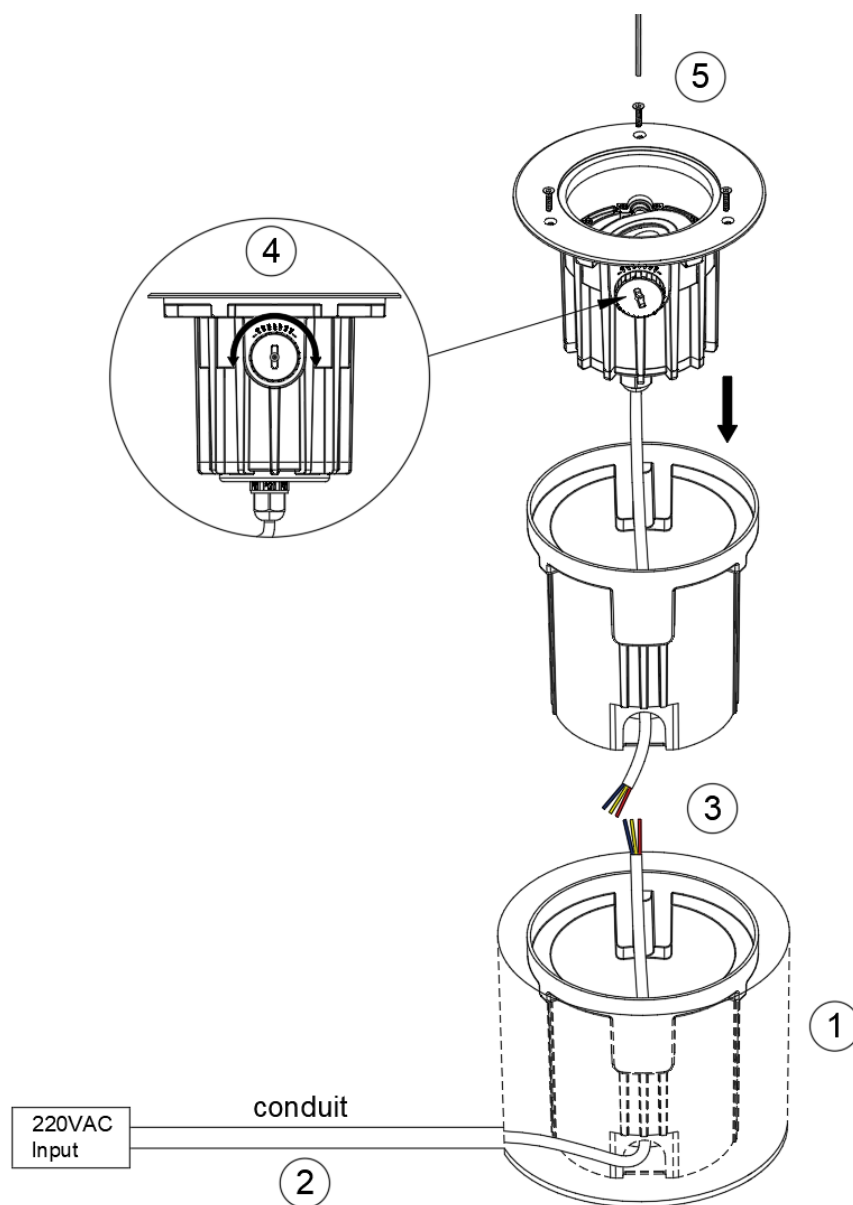


3. Can be adjustable turn right or left (0°~30°).



4. Put the light fixture into the sleeve.

2. Installation drawing.



3. Wiring diagram.

