

PISTOL L USER MANUAL

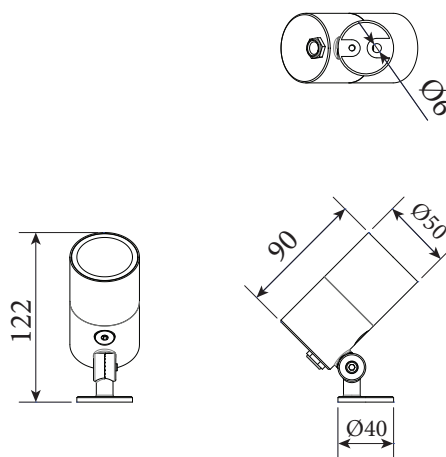


1. The luminaire shall be installed by a qualified electrician and wired in accordance with the latest IEE electrical regulations or the national requirements.
2. No supplied water-proof box, installation should be advised by qualified professional.
3. The external flexible cable can not be replaced. If the cable is damaged, the luminaire should be discarded.

! Warning:
 Confirm the correct connection method, incorrect connection can lead to improper work, and even damage.
 If install wrong, it may fall off.
 Refer to installation instruction for installing.

I. Product Introduction:

- The fixture is LED luminaire.
- Surface/Wall installation method.
- ADC12 Die-casting aluminum, High-intensity tempered glass, PMMA optical lens, Silicone waterproof sealed
- Isolated space for PCB and diver keeps rapid and stable the heat dissipation.
- Ingress production is IP66
- Electrical class: Class I



II. Technical specification:

Items	LED Brand	LED Q'ty	Wattage	Color Temperature
PISTOL L	CREE	1pc	6W	3000K
Beam Angle	Input Voltage/Frequency	Control Model	Working Current	Power Factor
/	AC100-264V	On/off	/	/
Lamp Dimension(mm)	Cutout Dimension(mm)	Net Weight	Ambient Temperature	Life Time(h)
Ø50	/	0.35kg	-40°C ~ +55°C	50000

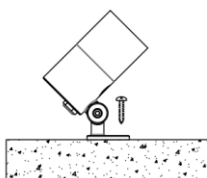
III. Observe the following dos and don'ts

1. Install in the IP 66 environment or beneath the IP66.
2. Prohibit punching any position of lamps
3. Please turn off the power and contact the dealer for problems in connection or other abnormal cases.
4. Installed by the qualified electrician holding a certificate.
5. Prohibit operating the lamps beyond the voltage scope as nation stipulated
6. Don't make the external power cable exposed during wiring.

IV. Installation Instructions

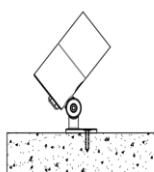
1. According to step 1, To fix the mount base with screws

1

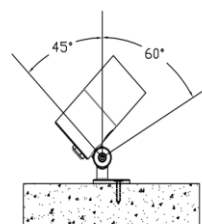


2. According to step 2, fasten it by two screws. And adjust the angles of the fixtures

2



3



Notes

The fixture must get reliable connection with the mounting surface, any screws in the lamps should not be arbitrarily loosed. There is no special requirement on the installation direction

V. Remarks for the cables.

When you get the fixture, please check and find the relative version and confirm its Color Temperature, Electrical class, the cable out.

Attention: ■ When you get the fixtures is class III, please use a transformation to light. ■ When you get the RGB DMX512 fixture, please accurately connect the DMX cables, otherwise, it will influence the regular work.

CABLES OUT FOR DIFFERENT COLOR TEMPERATURE AND ELECTRICAL CLASS			
✓ <u>VERSION 1</u>		✗ <u>VERSION 2</u>	
Single Color ✓ WW ✗ CW		✗ RGB (DMX512)	
✓ Class I	L, N, E	Class III	Power cable: 2pin1 V+ /Red wire, V- /Blue wire
Class III ✗ DC36V ✗ DC24V ✗ DC12V	V+ /Red wire V- /Blue wire	✗ DC36V ✗ DC24V ✗ DC12V	DMX IN cable: 3pin1 ■DMX+ Red wire ■DMX- Blue wire ■GND Green wire