

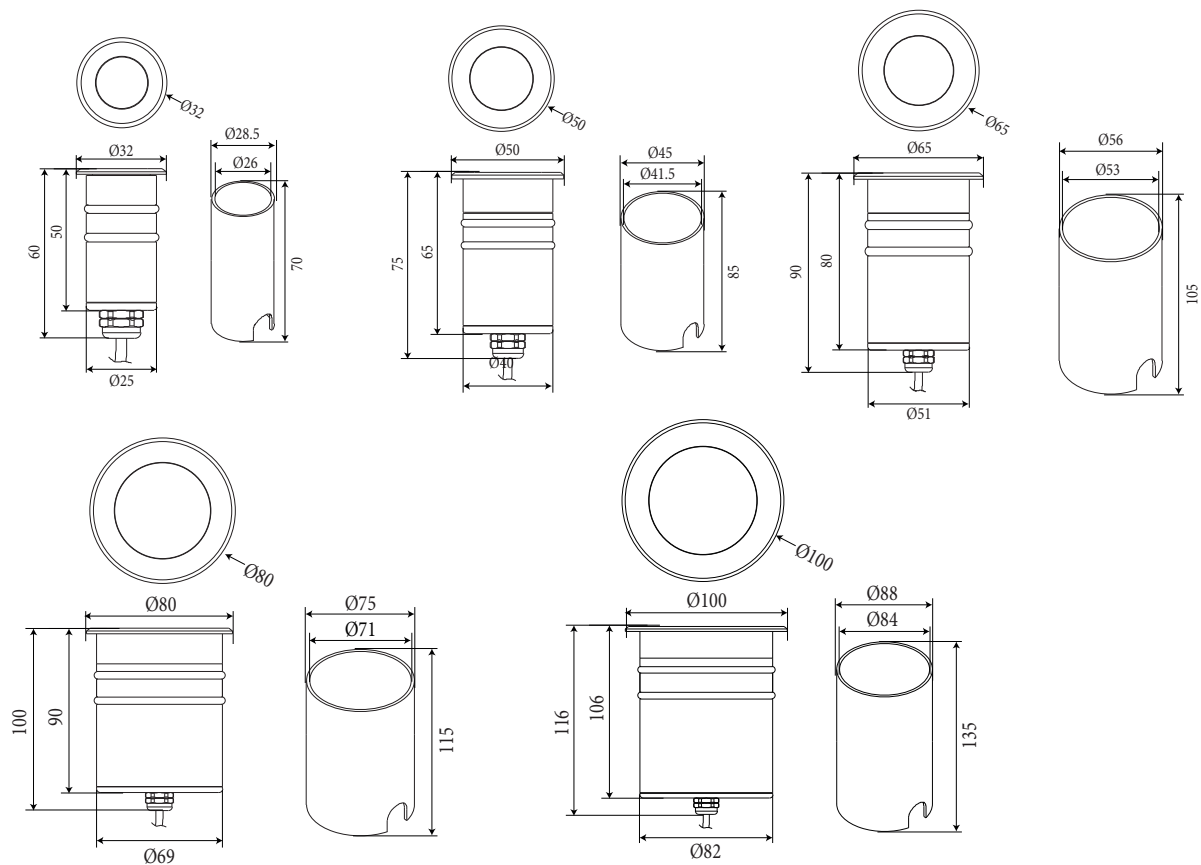
MICRA7_LENS+SILKPRINT

USER MANUAL

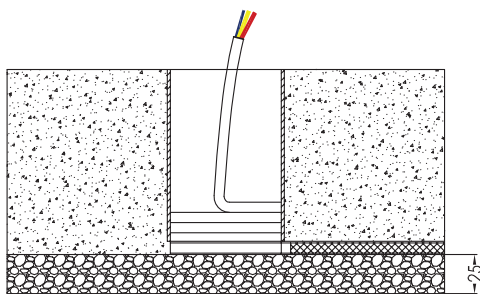
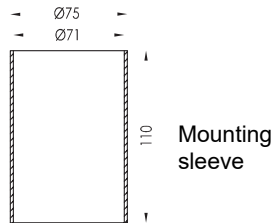


1. The luminaire shall be installed by a qualified electrician and wired in accordance with the latest IEE electrical regulations or the national requirements.
2. No supplied water-proof box, installation should be advised by qualified professional.
3. The external flexible cable can not be replaced. If the cable is damaged, the luminaire should be discarded.

DRAWING:

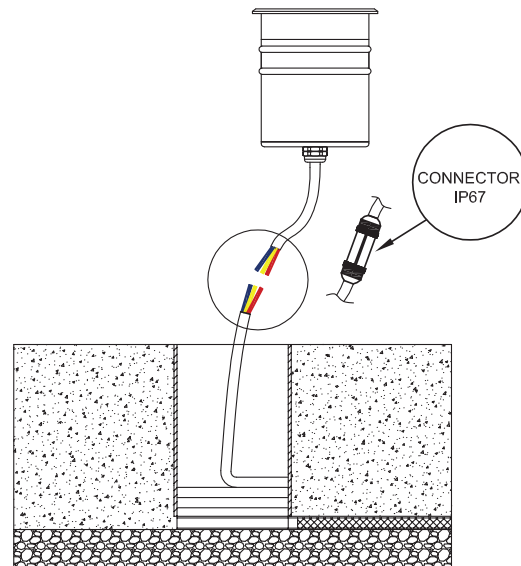


INSTALLATION:

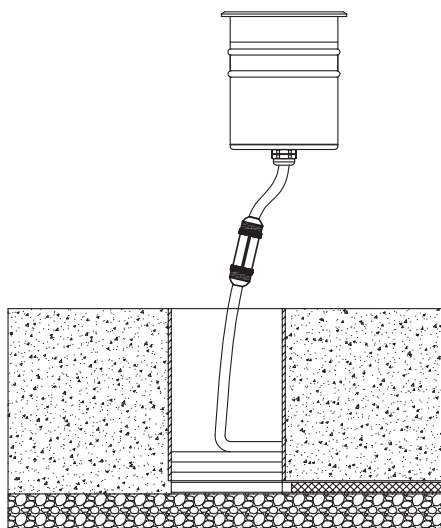


1. Install the sleeves into the ground, the top side should be on the same level with the ground surface, cable need to go through the sleeve.

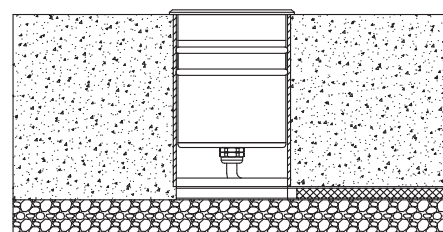
Note: The thickness of the gravel must be thicker than 25cm.



2. Connect the cable with the light with the waterproof connector.
*keep enough length for maintenance.



3. Place the long power cord into the sleeve.



4. Put the light fixture into the sleeve.