

# LINER RAIL

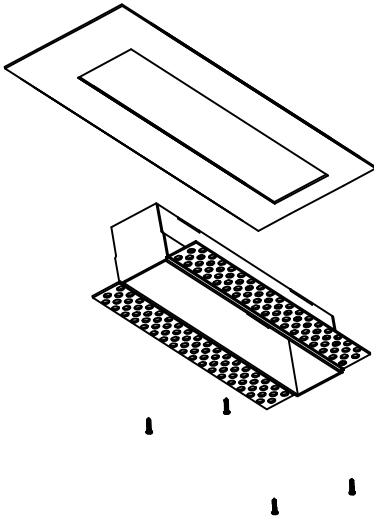
## USER MANUAL



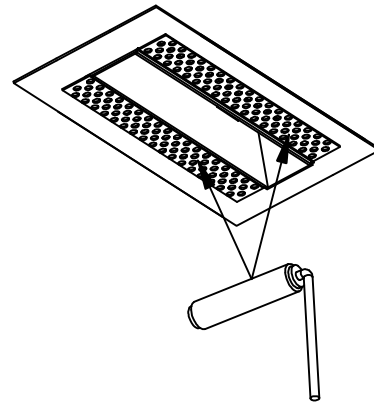
1. The luminaire shall be installed by a qualified electrician and wired in accordance with the latest IEE electrical regulations or the national requirements.
2. No supplied water-proof box, installation should be advised by qualified professional.
3. The external flexible cable can not be replaced. If the cable is damaged, the luminaire should be discarded.



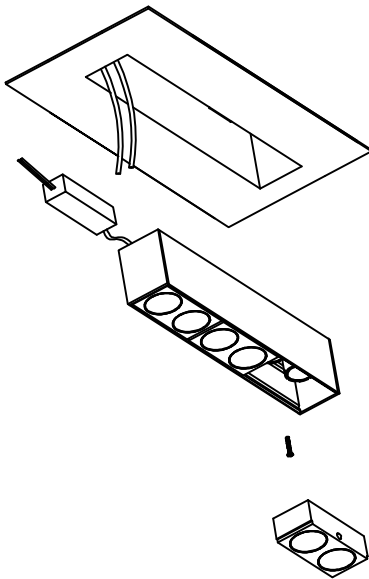
①



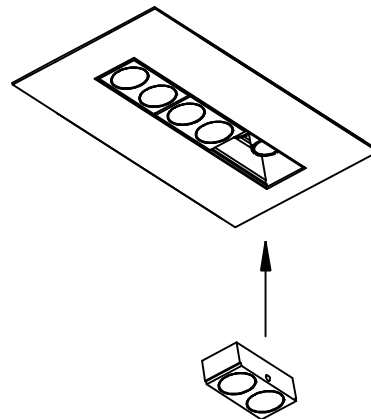
②



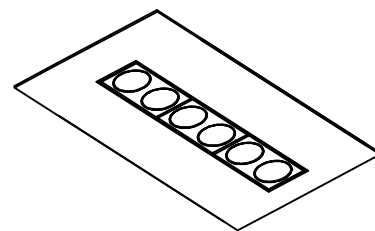
③



④



⑤



**Instruction for frameless linear light:**

1. Open the hole in the ceiling and lock the embedded parts of the lamp to the ceiling.
2. Then plaster mortar cover the embedded frame.
3. Connect the drive to the cable and place it in the ceiling. Remove the anti-glare cover and lock the lamp body into the embedded part with the screws.
4. Place the removed anti-glare cover into the lamp body.