

GARNET GLOW PRO L

USER MANUAL



1. The luminaire shall be installed by a qualified electrician and wired in accordance with the latest IEE electrical regulations or the national requirements.
2. No supplied water-proof box, installation should be advised by qualified professional.
3. The external flexible cable can not be replaced. If the cable is damaged, the luminaire should be discarded.

! Warning:

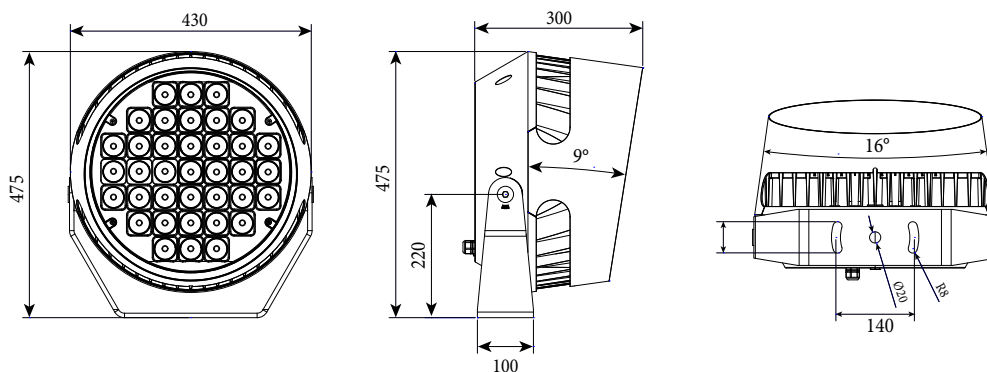
Confirm the correct connection method, incorrect connection can lead to improper work, and even damage.

If install wrong, it may fall off.

Refer to installation instruction for installing.

I. Product Introduction:

- The fixture is LED luminaire.
- Surface/wall installation method.
- ADC12 Die-casting aluminium, High-intensity tempered glass, PMMA optical lens, Silicone waterproof sealed
- Isolated space for PCB and driver keeps rapid and stable the heat dissipation.
- Ingress protection rating is IP66
- Electrical class: Class I



II. Technical specification:

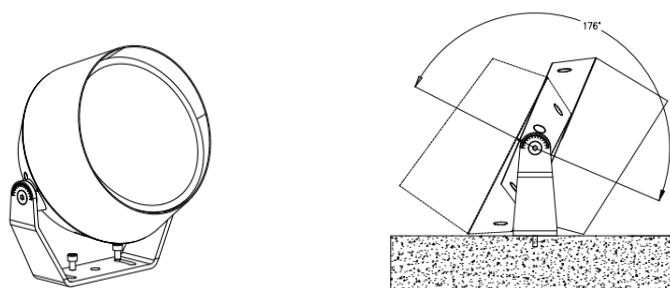
Housing	Pressure die-cast aluminum alloy with polyester powder paint.
Glass	Tempered glass, 5mm
Housing color	RAL
Color Temperature	2700K - 6500K, Amber, RGBW 4in1, RGBWCLA 7in1
Control system	DMX-512, DALI, RDM
IK	08
PF	0.9
IEC protection classes	I class (SELV)
Input voltage	220V
Ingress Protection Rating	IP66
Color rendering index	CRI 80
Operating temperature	-40°C ~ +50°C
Guaranteed lifetime	>80 000h

III. Observe the following dos and don'ts

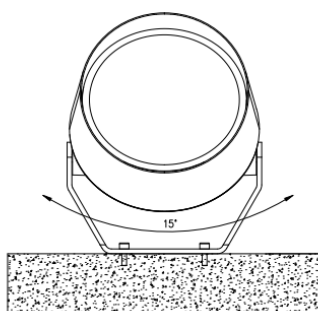
1. Install in the IP 66 environment or beneath the IP66.
2. Prohibit punching any position of lamps.
3. Please turn off the power and contact the dealer for problems in connection or other abnormal cases.
4. Installed by the qualified electrician holding a certificate.
5. Prohibit operating the lamps beyond the voltage scope as nation stipulated.
6. Don't make the external power cable exposed during wiring.

IV. Installation Instructions

1. Step 1 - fix the arm with the screws.



2. Step 2 - adjust the fixture body as the real mounting position.



Notes

The fixture must get reliable connection with the mounting surface, any screws in the lamps should not be arbitrarily loosed. There is no special requirement on the installation direction.

V. Remarks for the cables.

When you get the fixture, please check and find the relative version and confirm its Color Temperature, Electrical class, the cable out.

Attention: ■ When you get the fixtures is class III, please use a transformation to light. ■ When you get the RGB DMX512 fixture, please accurately connect the DMX cables, otherwise, it will influence the regular work.

Cables out for different color temperature and electrical class			
x Version 1		v Version 2	
Single color v WW x CW		x RGBW (DMX-512)	
v Class I	L, N, E	Class III	Power cable: 2pin1 V+/Red wire; V-/Blue wire
Class III x DC36V x DC24V x DC12V	V+/Red wire V-/Blue wire	x DC36V x DC24V x DC12V	DMX IN cable: DMX+ Red wire DMX- Blue wire GND Green wire