

BAND ULTRASLIM

USER MANUAL



! Warning:

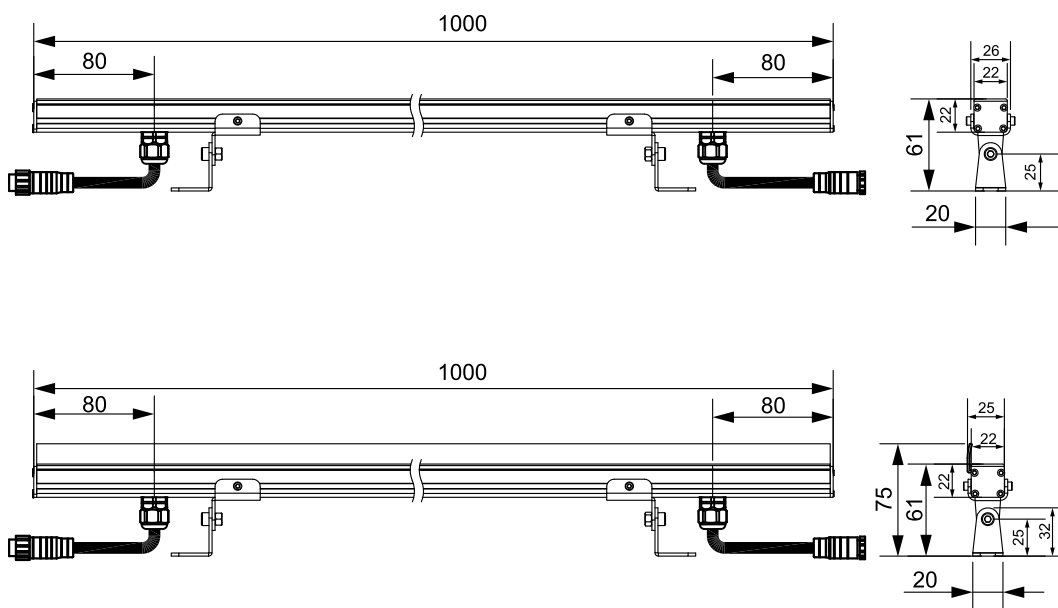
Confirm the correct connection method, incorrect connection can lead to improper work, and even damage.

If install wrong, it may fall off.

Refer to installation instruction for installing.

I. Product Introduction :

- The fixture is LED luminaire.
- Surface/Wall installation method.
- 6063#Aluminum Alloy, engineering Polycarbonate Plastic diffuser,
Silicone waterproof sealed.
- Ingress production is IP65.
- Electrical class: Class III



II. Technical specification :

Items	LED Brand	LED Q'ty	Wattage	Color Temperature
BAND ULTRASLIM	Epistar	48pcs	10W	RGB
Beam Angle	Input Voltage/Frequency	Control Model	Working Current	Power Factor
120°	24V DC	DMX512	0.458A	0.89
Lamp Dimension(mm)	Cutout Dimension(mm)	Net Weight	Ambient Temperature	Life Time(hr)
L1000×W28×H32	/	1.00kg	-45°C~+55°C	50000

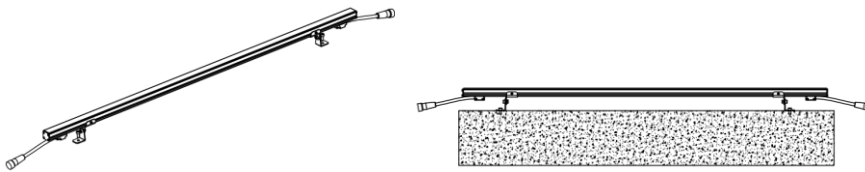


III . Observe the following dos and don'ts

1. Install in the IP 65 environment or beneath the IP65.
2. Prohibit punching any position of lamps
3. Please turn off the power and contact the dealer for problems in connection or other abnormal cases.
4. Installed by the qualified electrician holding a certificate.
5. Prohibit operating the lamps beyond the voltage scope as nation stipulated
6. Don't make the external power cable exposed during wiring.

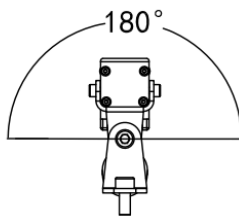
IV . Installation Instructions

1. According to step ① fix the bracket on the mounting surface.



Step ①

2. According to step ② move the bracket as your project needed.



Step ②

5. Notes

The fixture must get reliable connection with the mounting surface, any screws in the lamps should not be arbitrarily loosened. There is no special requirement on the installation direction.

V. Remarks for the cables.

When you get the fixture, please check and find the relative version and confirm its Color Temperature, Electrical class, the cable out.

Attention: ■ When you get the fixtures is class III, please use a transformation to light. ■ When you get the RGB DMX512 fixture, please accurately connect the DMX cables, otherwise, it will influence the regular work.

CABLES OUT FOR DIFFERENT COLOR TEMPERATURE AND ELECTRICAL CLASS			
✗ <u>VERSION 1</u>		✓ <u>VERSION 2</u>	
Single Color		✓ RGB (DMX512)	
✗ WW	✗ CW		
✗ Class I	L, N, E	Class III	Power cable: 2pin1 V+ /Red wire, V- /Blue wire
Class III			
✗ DC36V	V+ /Red wire	✗ DC36V	DMX IN cable: 3pin1 ■DMX+ Red wire ■DMX- Blue wire ■GND Green wire
✗ DC24V	V- /Blue wire	✓ DC24V	
✗ DC12V		✗ DC12V	